



SWING DOOR

# Accessories for door closers



# Table of contents

## FLOOR SPRING ACCESSORIES

Floor-mounted pivot bearings and cover plates	06
Door rails and pivot hinges for single-action doors	07
Cover caps for door rails	11
Door rails and pivot hinges for double-action doors	12

## ACCESSORIES FOR OVERHEAD DOOR CLOSERS

T-Stop guide rail TS 3000/TS 5000	18
T-Stop guide rail with pivot bearing	20
Boxer pivot bearing	22
CB flex carry bar	24
Retrofit kit Ecline ISM / ISM BG	26
Mechanical hold-open units	28
Flexible opening restrictors	30
Cover caps	32

## GENERAL ACCESSORIES FOR DOOR CLOSERS

Wireless KIT FA GC 170	36
GC 152 / GC 153 ceiling-mounted detectors	41
RSZ 7 smoke switch control unit	43
Manual trigger switch	45
Hold-open magnets	47
Magnetic counter plates for hold-open magnets	50



SWING DOOR

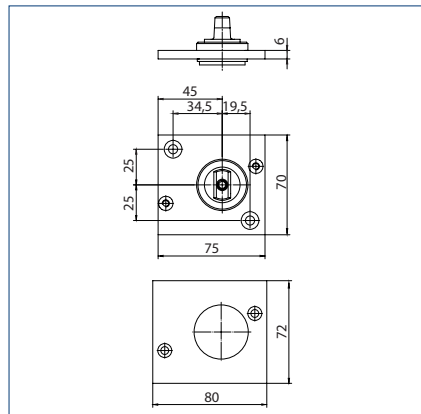
# Floor spring accessories

GEZE floor springs focus on convenience, safety and design. We offer the right solution to suit any needs that go above and beyond standard equipment. Be it a floor-mounted pivot bearing, door rails, or a pivot hinge – you are bound to find just what you're looking for in our extensive range of accessories for GEZE floor springs.



# Floor-mounted pivot bearings and cover plates

## PIVOT BEARING WITH FLAT CONICAL SPINDLE, MAX. DOOR WEIGHT 250 KG, 75X70 MM WITH REINFORCEMENT PLATE



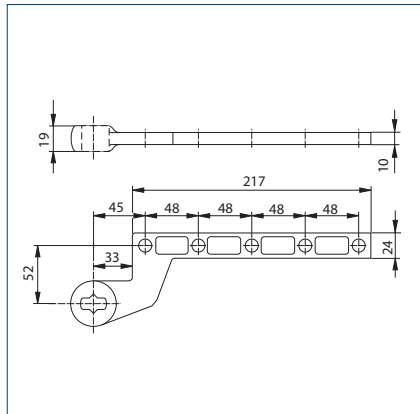
Pivot bearing with flat conical spindle

### ORDER INFORMATION

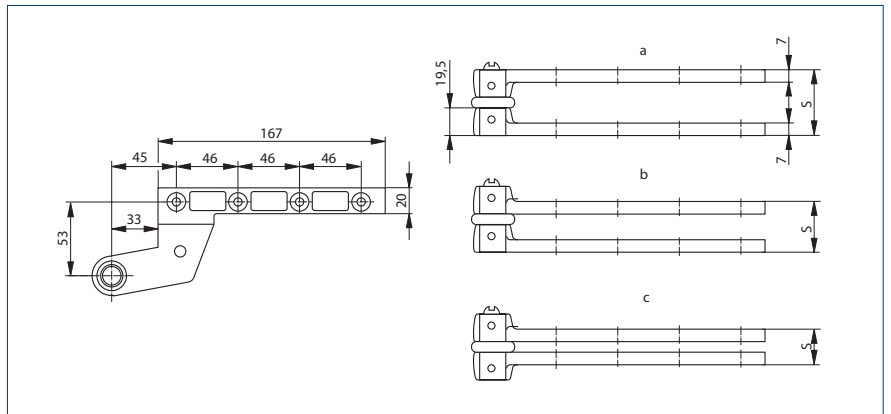
Designation	Spindle extension	Version	ID no.
TS 137 b floor-mounted pivot bearing with flat conical spindle, max. door weight 250 kg, 75x70 mm with reinforcement plate	0 mm	silver-coloured	009788
	5 mm	silver-coloured	009790
TS 32 b floor-mounted pivot bearing with square spindle, door weight max. 250 kg, 75 x 70 mm with thrust bearing	0 mm	silver-coloured	010556
	5 mm	silver-coloured	010564
GEZE floor-mounted pivot bearing cover plate for type TS 137 b and TS 32 b		stainless steel	012846
Floor-mounted pivot bearing compact		C35 (black)	189089

# Door rails and pivot hinges for single-action doors

## MODEL DB, FOR REBATED & FLUSH-MOUNTED METAL AND TIMBER DOORS



Door rail model DB



Pivot hinge model DB

## PIVOT PIN

### Installation dimensions

### Combination

	a	b	c
Dimension=	S	S	S
Pivot pin 41 mm without intermediate ring	41	28	15
Pivot pin 45 mm without intermediate ring	45	32	19
Pivot pin 49 mm without intermediate ring	49	36	23

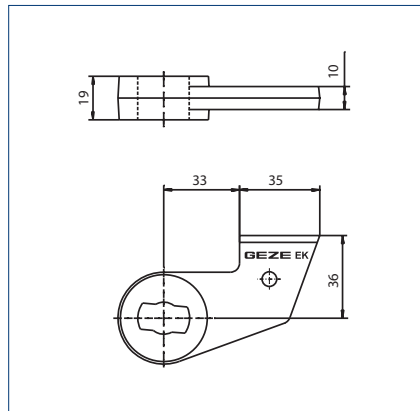
Standard version with 45 mm pivot pin. 41 mm and 49 mm pivot pins must be ordered separately.

## ORDER INFORMATION

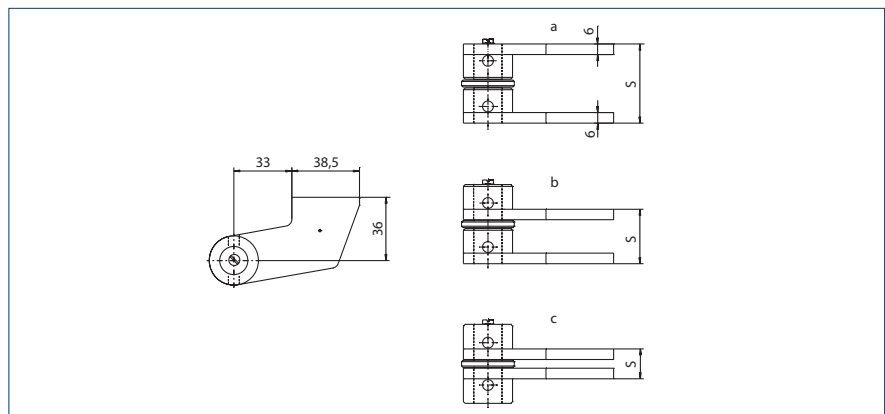
Designation		Version	ID no.
Door rails for single-action doors Model DB, for rebated & flush-mounted metal and timber doors <sup>1</sup>	Flat cone	galvanised	044579
	Square	galvanised	037581
Pivot hinge for single-action doors Model DB, for rebated & flush-mounted metal and timber doors <sup>1</sup>	Combination	galvanised	044676
	Combination b DIN left	galvanised	044697
	Combination b DIN right	galvanised	044680
	Combination c	galvanised	044787

<sup>1</sup> standard length of pivot pin = 45 mm

## MODEL EK, FOR WELDING TO STEEL DOORS



Door rail model EK



Pivot hinge model EK

## PIVOT PIN

Installation dimensions	Combination		
	a	b	c
Dimension=	S	S	S
Pivot pin 45 mm without intermediate ring	45	31	17

Standard version with 45 mm pivot pin..

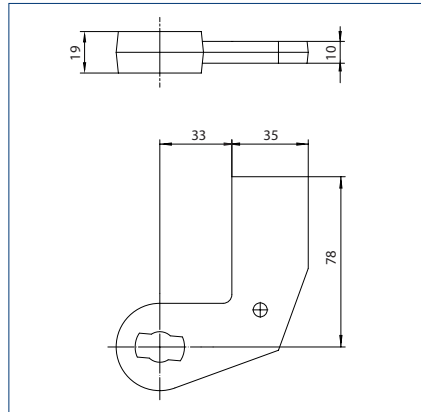


## ORDER INFORMATION

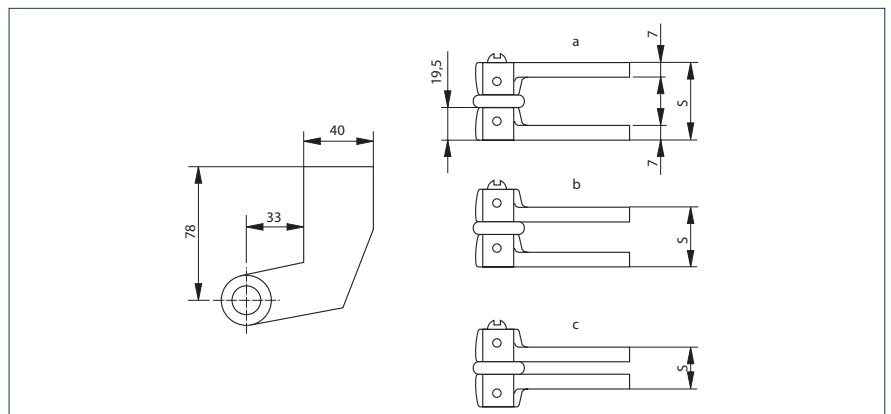
Designation		Version	ID no.
Door rails for single-action doors Model EK, for welding to steel doors <sup>1</sup>	Flat cone	phosphated	008269
	Square	phosphated	006696
Pivot hinge for single-action doors Model EK, for welding to steel doors <sup>1</sup>	Combination b DIN left	phosphated	006719
	Combination b DIN left	phosphated	000889
	Combination b DIN left	phosphated	000890
	Combination b DIN left	phosphated	000891

<sup>1</sup> standard length of pivot pin = 45 mm

## MODEL FK, FOR WELDING TO STEEL DOORS



Door rail model FK



Pivot hinge model FK

## PIVOT PIN

Installation dimensions	Combination		
	a	b	c
Dimension=	S	S	S
Pivot pin 45 mm without intermediate ring	45	32	19

Standard version with 45 mm pivot pin.

**ORDER INFORMATION**

<b>Designation</b>		<b>Version</b>	<b>ID no.</b>
Door rails for single-action doors Model FK, for welding to steel doors <sup>1</sup>	Flat cone	phosphated	008270
	Square	phosphated	006699
Pivot hinge for single-action doors Model FK, for welding to steel doors <sup>1</sup>	Combination	phosphated	006724
	Combination b DIN left	phosphated	000895
	Combination b DIN right	phosphated	000896
	Combination c	phosphated	000897

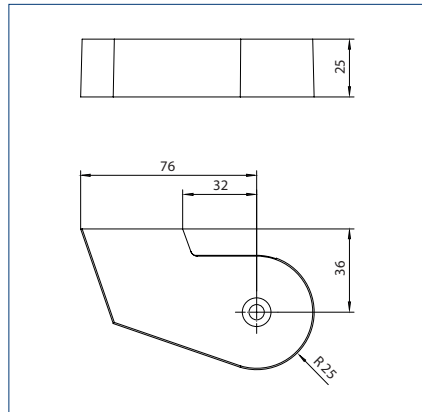
<sup>1</sup> standard length of pivot pin = 45 mm

# Cover caps for door rails

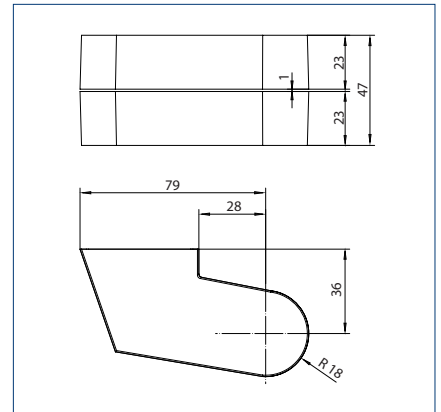
SUITABLE FOR MODELS DB, EK, FK AND FOR MODELS DB, EK, FK



Cover cap, right



Cover caps for door rail models DM, DB, EK, FK



Cover caps for pivot hinge models DB, EK, FK

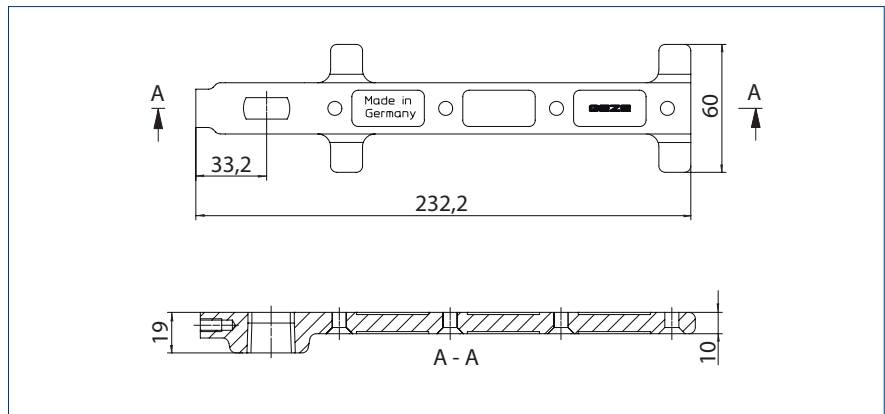
## ORDER INFORMATION

Designation	DIN/ISO direction	Version	ID no.
Cover caps for door rails (flush-mounted doors) suitable for models DB, EK, FK	left	EV1	006794
	right	EV1	006798
Cover caps for door rails (rebated doors) suitable for models DB, EK, FK <sup>1</sup>	left	EV1	045196
	right	EV1	045155
Cover caps for pivot hinges (flush-mounted doors) suitable for models DB, EK, FK	left/right	EV1	001090
Cover caps for pivot hinges (rebated doors) suitable for models DB, EK, FK <sup>1</sup>	left	EV1	037918
	right	EV1	038302

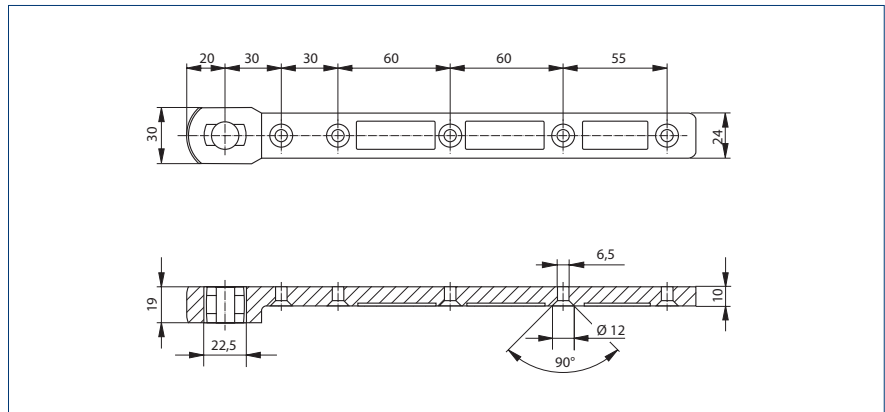
<sup>1</sup> The cover caps for the door rails and the pivot hinge lower part are ground by 14 mm for installation on rebated doors.

# Door rails for double-action doors

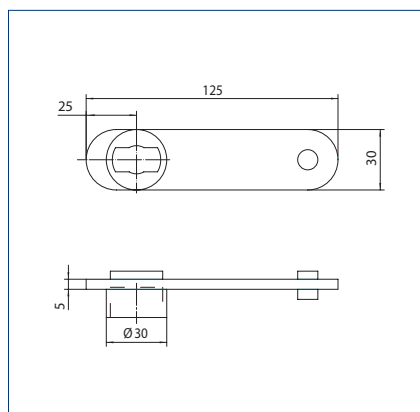
## MODELS CM, C AND S



Door rail model CM



Door rail model C



Door rail model S

**ORDER INFORMATION**

<b>Designation</b>		<b>Version</b>	<b>ID no.</b>
Door rail for double-action doors Model CM, for metal doors, on-site adaptation to profile system, without surface treatment		galvanised	021817
Door rail for double-action doors Model CM, for metal doors, adapted to profile system <sup>1</sup>	Flat cone	galvanised	001067
Door rail for double-action doors Model C, for metal and timber doors	Flat cone	galvanised	007432
Door rail for double-action doors Model S, for welding to steel doors	Flat cone	phosphated	007434

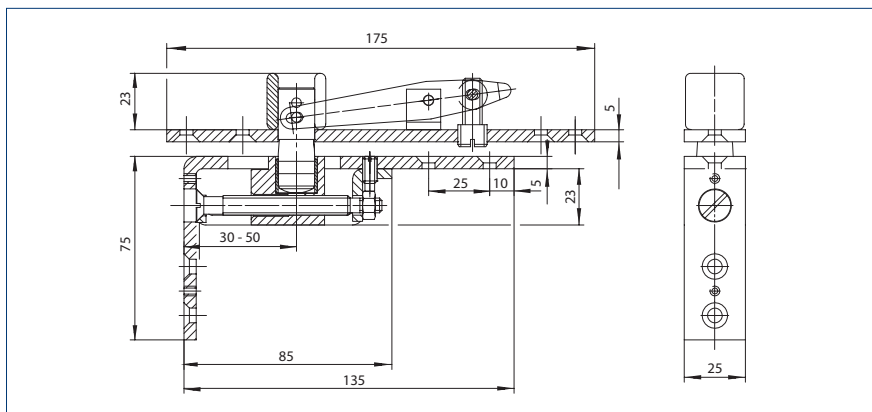
<sup>1</sup> The profile system and profile combination used must be specified with the order.

# Pivot hinges for double-action doors

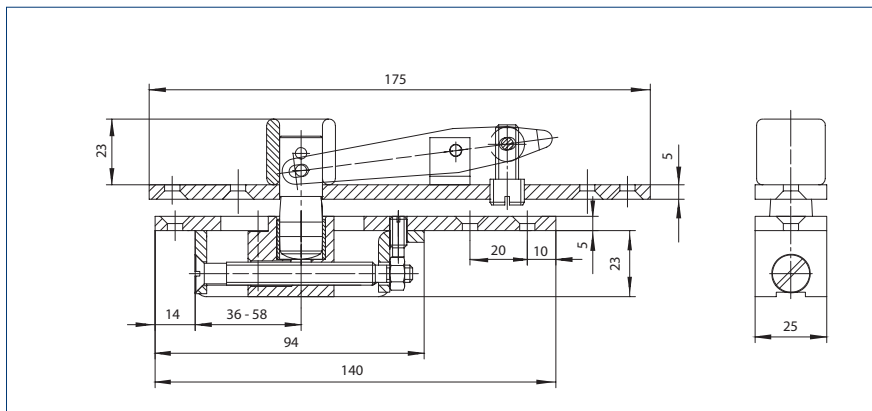
## MODELS B AND C, SUITABLE FOR DOOR RAILS C, CM, S



Adjustable pivot hinge model B



Adjustable pivot hinge model C



## ORDER INFORMATION

Designation	Pivot pin	Version	ID no.
Adjustable pivot hinge for double-action doors Model B, suitable for C, CM, S door rails	Pivot pin 43 mm	galvanised	006371
	Pivot pin 55 mm	galvanised	000108
	Pivot pin 65 mm	galvanised	000903
Adjustable pivot hinge for double-action doors Model C, suitable for C, CM, S door rails	Pivot pin 43 mm	galvanised	006666
	Pivot pin 55 mm	galvanised	000905
	Pivot pin 65 mm	galvanised	000904
Cover plate for pivot hinge upper part Models B and C		LM matt	006375
		LM anodised EV1	006376
Front plate for pivot hinge lower part Model B		LM matt	006667
		LM anodised EV1	006669





Shopping mall in BahnhofCity at Viennese Westbahnhof train station , Vienna, Austria (photo: Sigrid Rauchdobler / GEZE GmbH )





SWING DOOR

# Accessories for overhead door closers

For our overhead door closers – with link arm or guide rail – we offer a variety of matching accessories for you to choose from. Our GEZE T-Stop guide rail, for example, offers door installation without an intrusive door stop. Or use the GEZE CB flex carry bar – for the secure closure of double leaf fire protection doors.



# T-Stop guide rail TS 3000/TS 5000



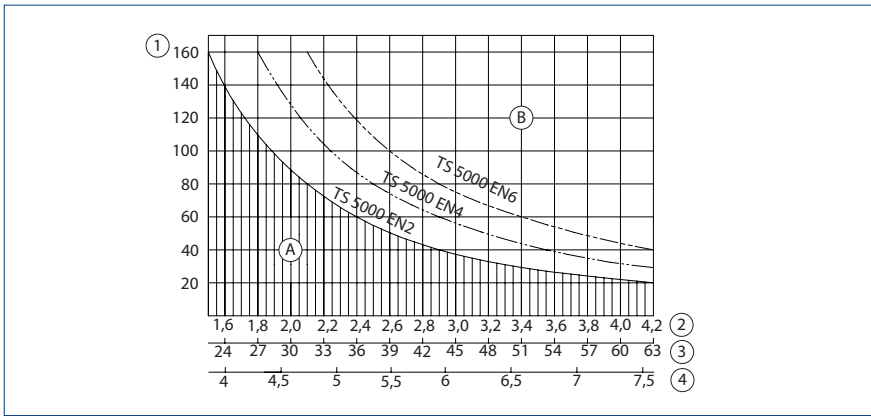
With opening restrictor and lever

## AREAS OF APPLICATION

- Single leaf doors
- Installation on hinge side
- Right and left single-action doors
- For opening restriction without door stopper

## PRODUCT FEATURES

- Easy to replace with the standard guide rail
- Saves time as no floor mounted door stopper needs to be installed
- With screwed sliding block



When do you have to use a door stopper?

- 1 = door weight kg
- 2 = opening speed (m/s)
- 3 = wind speed (km/h)
- 4 = wind force (Bft)
- A = installation without door stopper
- B = installation with door stopper

Door size (W x H): 1000 x 2200 mm

### ORDER INFORMATION

Designation	Version	ID no.
T-Stop guide rail TS 5000/TS 3000 with integrated opening restrictor and lever	silver-coloured	102363
	white RAL 9016	108481
	simulated stainless steel <sup>1</sup>	102364
	according to RAL <sup>2</sup>	102365
T-Stop guide rail opposite hinge side TS 5000/TS 3000 with integrated opening restrictor and lever, use with closer on leaf installation on the opposite hinge side or with pivot bearing in leaf and transom installation opposite hinge side	silver-coloured	102366
	white RAL 9016	108482
	simulated stainless steel <sup>1</sup>	102367
	according to RAL <sup>2</sup>	102368

### INSTALLATION MATERIAL

Mounting plate guide rail opposite hinge side for standard/T-Stop/EFS guide rail	silver-coloured	124683
	according to RAL <sup>2</sup>	124684
Mounting plate guide rail for standard/T-Stop/EFS guide rail	silver-coloured	001512
	white RAL 9016	129252
	according to RAL <sup>2</sup>	104515
Lintel casing bracket guide rail opposite hinge side for Ecline and T-Stop guide rail	silver-coloured	115006
	according to RAL <sup>2</sup>	115007

<sup>1</sup> Only for dry rooms | <sup>2</sup> Surcharge for RAL special colours, see General Notes in the price list

# T-Stop guide rail with pivot bearing



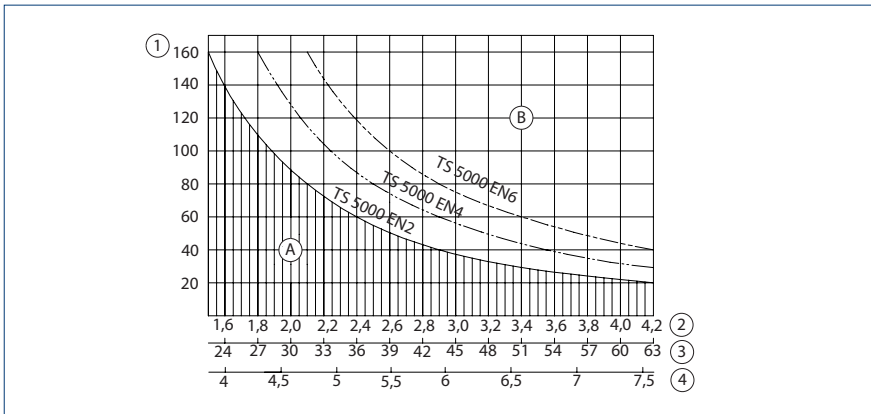
For opening restriction or holding open of doors without door closer

## AREAS OF APPLICATION

- Right and left single-action doors
- Opening restrictor for single-action doors without door closer
- Door systems without smoke and fire protection needs
- For combining an automatic swing door drive with a GEZE TS 5000 on double leaf door systems

## PRODUCT FEATURES

- Holding doors open without a door closer, not self-closing
- Can be used for right and left hand doors without conversion
- Opening angle of door is limited and a door stopper is usually made redundant
- Door area is more attractive without door stopper, no tripping hazards or dirty corners
- Crushing between door leaf and floor-mounted door stopper is avoided



When do you have to use a door stopper?

- 1 = door weight kg
- 2 = opening speed (m/s)
- 3 = wind speed (km/h)
- 4 = wind force (Bft)
- A = installation without door stopper
- B = installation with door stopper

Door size (W x H): 1000 x 2200 mm

## ORDER INFORMATION

Designation	Version	ID no.
T-Stop guide rail opposite hinge side TS 5000/TS 3000 with integrated opening restrictor and lever, use with closer on leaf installation on the opposite hinge side or with pivot bearing in leaf and transom installation opposite hinge side	silver-coloured	102366
	white RAL 9016	108482
	simulated stainless steel <sup>1</sup>	102367
	according to RAL <sup>2</sup>	102368
Pivot bearing for T-Stop guide rails surface mounted	silver-coloured	112688
	white RAL 9016	112689
	according to RAL <sup>2</sup>	112690
<b>INSTALLATION MATERIAL</b>		
Mounting plate guide rail opposite hinge side for standard/T-Stop/EFS guide rail	silver-coloured	124683
	according to RAL <sup>2</sup>	124684
Mounting plate guide rail for standard/T-Stop/EFS guide rail	silver-coloured	001512
	white RAL 9016	129252
	according to RAL <sup>2</sup>	104515
Lintel casing bracket guide rail opposite hinge side for Ecline and T-Stop guide rail	silver-coloured	115006
	according to RAL <sup>2</sup>	115007

<sup>1</sup> Only for dry rooms | <sup>2</sup> Surcharge for RAL special colours, see General Notes in the price list

# Boxer pivot bearing



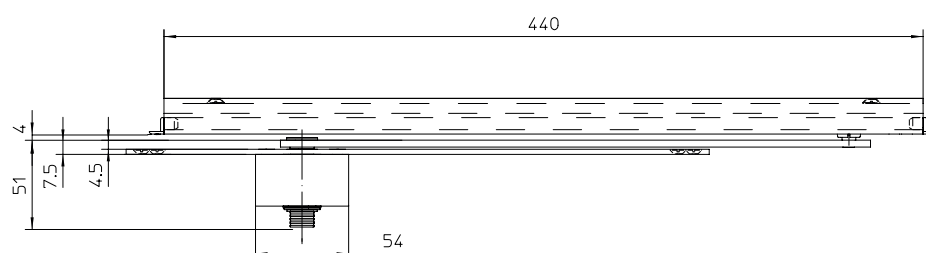
Integrated pivot bearing for opening restriction or holding open of doors without door closer

## AREAS OF APPLICATION

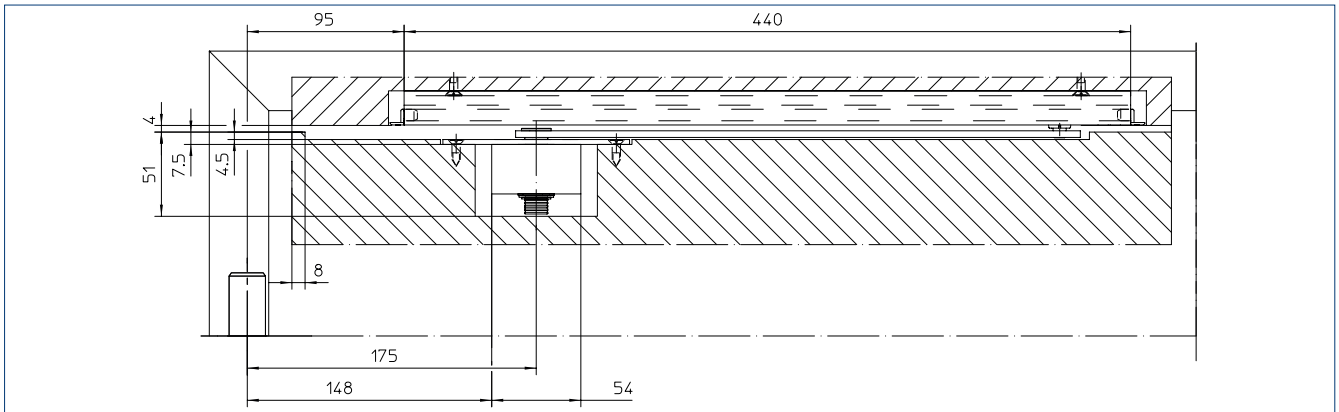
- Right and left single-action and double-action doors
- Opening restriction for single- or double-action doors without door closer
- Door systems without smoke and fire protection needs
- For combining an automatic swing door drive with a GEZE Boxer on double leaf door systems

## PRODUCT FEATURES

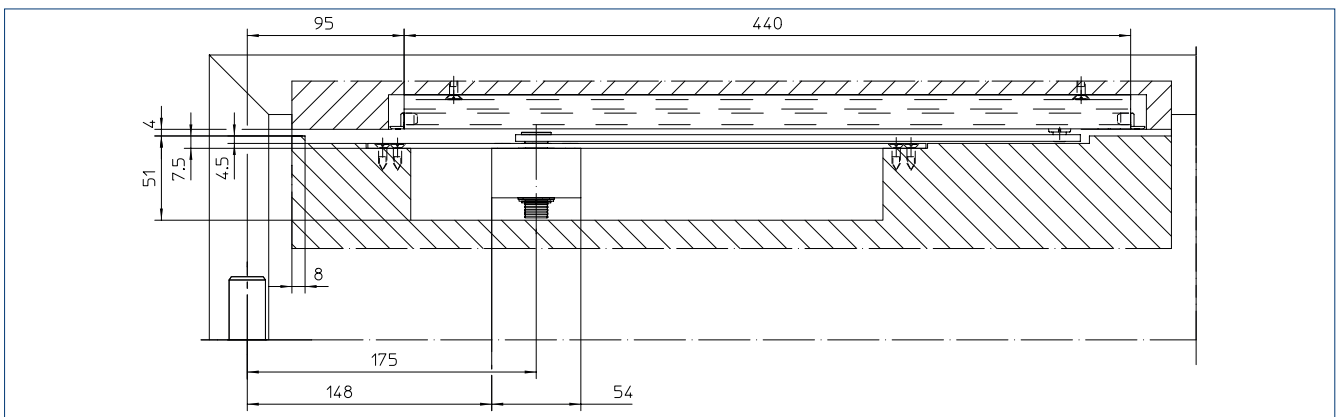
- Holds doors without door closer open, not self-closing
- The door opening angle is limited and a door stopper is usually no longer required
- Door area is more attractive without door stopper, no tripping hazards or dirty corners
- Can be used for right and left hand doors without conversion
- Crushing between door leaf and floor mounted door stopper is avoided



## INSTALLATION INFORMATION



Pivot bearing with short cover plate



Pivot bearing with long cover plate

## ORDER INFORMATION

Designation	Spindle extension	Version	ID no.
Boxer pivot bearing Integrated pivot bearing for opening restriction or holding open of doors without door closer, for use with all Boxer guide rails	0, 2, 4, 6, 8 mm		156278
Boxer guide rail 12 mm with lever, overall height 12 mm		silver-coloured	129213
		according to RAL	135732
Boxer guide rail 12 mm with lever for double-action doors, overall height 12 mm (only Boxer 2-4)		silver-coloured	129344
		according to RAL	135733
Boxer guide rail 20.7 mm with lever, overall height 20.7 mm		silver-coloured	112161
Boxer guide rail 20.7 mm with lever and mechanical hold-open device, overall height 20.7 mm		silver-coloured	095141
		according to RAL	135689
Boxer guide rail 20.7 mm with lever for double-action doors and mechanical hold-open device, overall height 20.7 mm (only Boxer 2-4)		silver-coloured	104246
		according to RAL	135731

## ACCESSORIES

Flexible opening restrictor for lightweight doors for Boxer guide rail 12 mm	129343
Flexible opening restrictor for lightweight doors for riveted guide rail, standard guide rail opposite hinge side, standard guide rail and Boxer 20.7 mm guide rail	069780
Mechanical hold-open unit for Boxer 12 mm guide rail, retention force adjustable, cannot be overridden	129145
Mechanical hold-open unit for standard/T-Stop/Boxer 20.7 mm guide rail Retention force adjustable, can be switched on and off, can be overridden	071924

# CB flex carry bar



## Carry bar for safe closing of double leaf fire protection doors

### AREAS OF APPLICATION

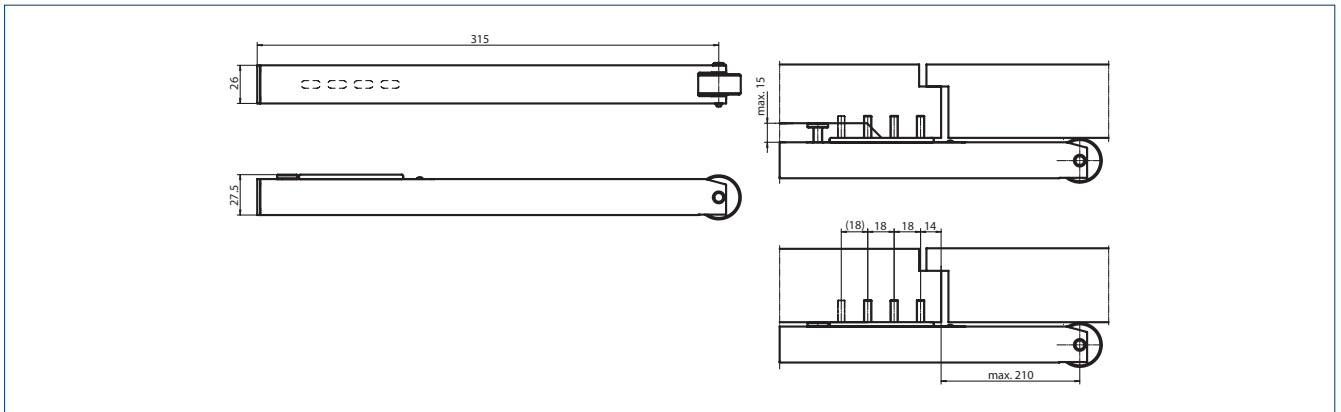
- For double leaf doors with closing sequence control to ensure the correct door closing sequence
- For double leaf doors with panic function on both door leaves
- Leaf width of up to 1400 mm

### PRODUCT FEATURES

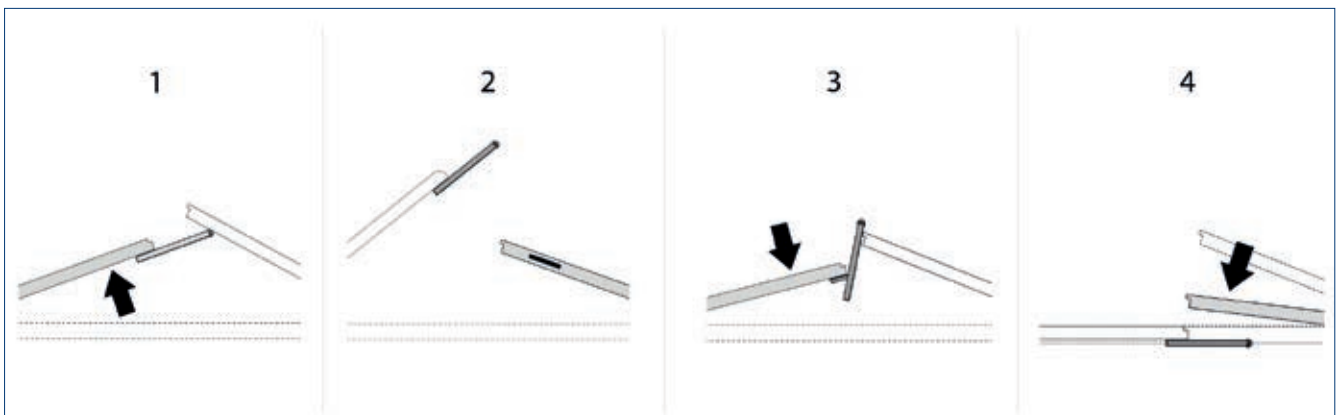
- GEZE 'Curved design' suitable for door closers and guide rails for an uniform appearance
- Fixing, adjustment and hinged mechanism are not visible after installation
- Continuous length adjustment makes adapting to different door situations easier
- Projection adjustable between 70 and 210 mm
- Adjustment also possible after installation
- Installation possible on doors with overhead joints and cleats up to 15 mm
- High corrosion resistance thanks to anodised aluminium
- Can be used for various applications; offers storage benefits
- Adjustment also possible after installation



**PRODUCT SCALE DRAWING**



**FUNCTION**



1 = double leaf door opens via the passive leaf | 2 = active leaf is held in the waiting position | 3 = passive leaf closes | 4 = the active leaf is released as soon as the passive leaf is closed

**ORDER INFORMATION**

Designation	Version	ID no.
CB flex for use on all 2-leaf rebated doors. Concealed length adjustment with variable adjustment up to 210 mm leaf projection, hinged mechanism not visible, profile can be shortened if necessary, with attachment material	silver-coloured	153602
	according to RAL <sup>1</sup>	153728
Ramp up wedge CB flex optional accessories for use with the GEZE CB flex carry bar to prevent forcing on profile systems	silver-coloured	199544
	white RAL 9016	199546
	according to RAL <sup>1</sup>	199951

<sup>1</sup> Surcharge for RAL special colours, see General Notes in the price list

# Retrofit kit EClime ISM / ISM BG

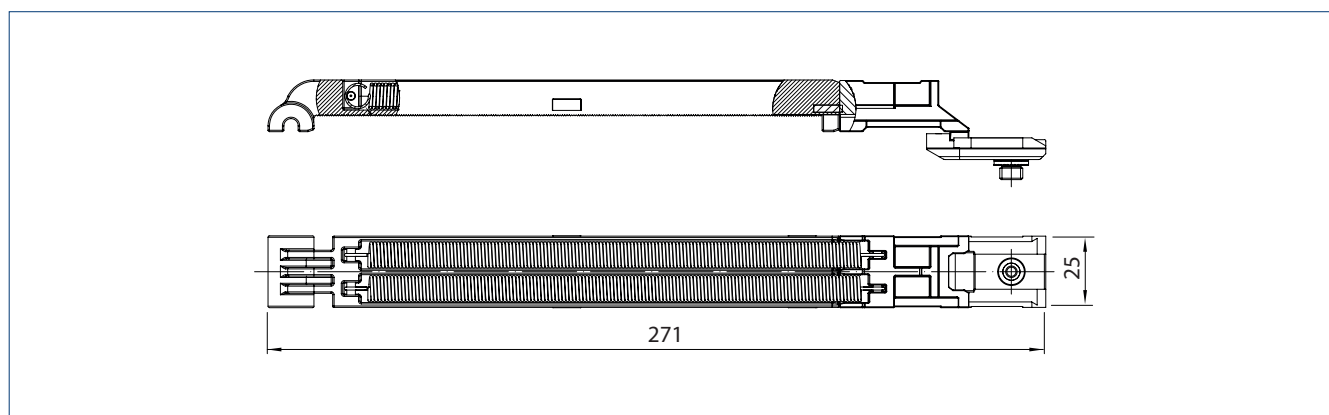


Energy accumulator for use on the active leaf in double leaf ISM and ISM BG guide rails

## AREAS OF APPLICATION

- For integration into ISM guide rails or ISM BG guide rails
- Great reduction of the opening torque over the opening process
- For single-action doors, leaf width of up to 1250 mm
- For right and left hand doors
- For fire protection doors (door closer with mounting plate)

## PRODUCT SCALE DRAWING



## ORDER INFORMATION

Designation	Version	ID no.
Retrofit kit EClime ISM/ISM BG Energy accumulator for use on the active leaf in 2-leaf ISM and ISM BG guide rails, opening assistance for greater operating convenience	black	154767

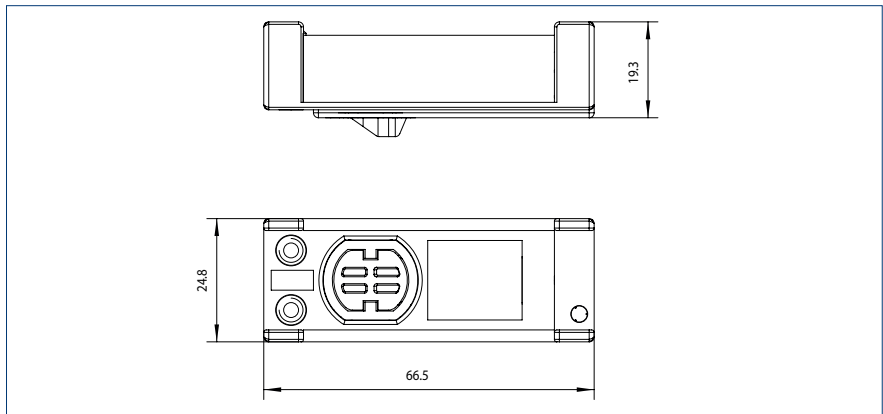


# Mechanical hold-open units

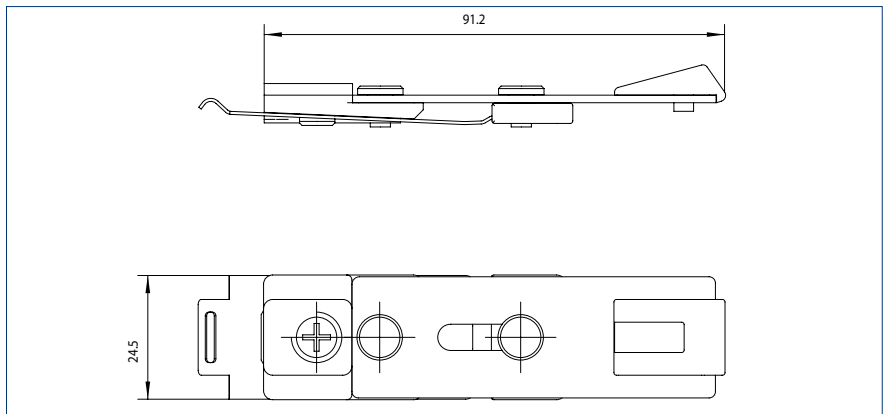
FOR ISM GUIDE RAIL, STANDARD/T-STOP/BOXER 20.7 MM GUIDE RAIL, BOXER 12 MM GUIDE RAIL AND ECLINE GUIDE RAIL



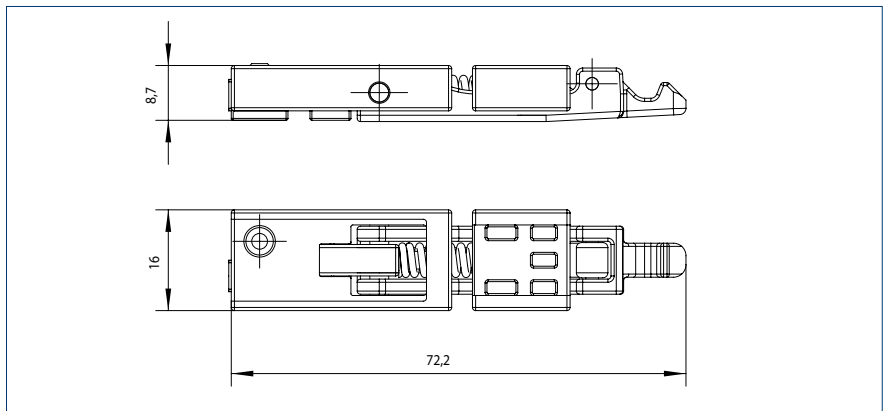
Mechanical hold-open unit ISM

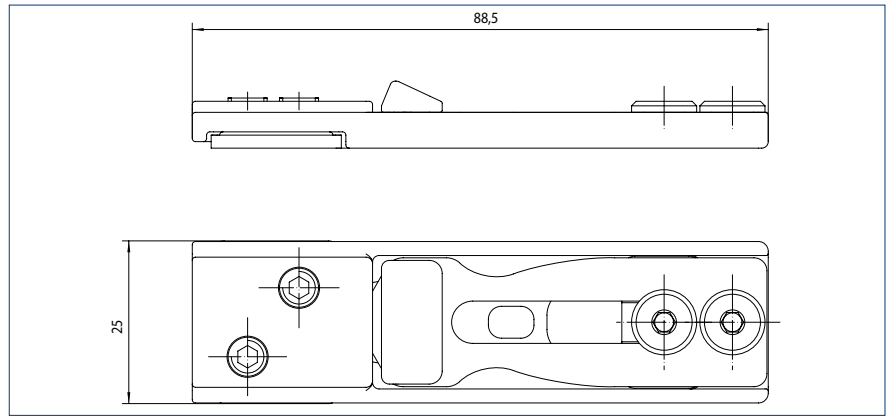


Mechanical hold-open unit

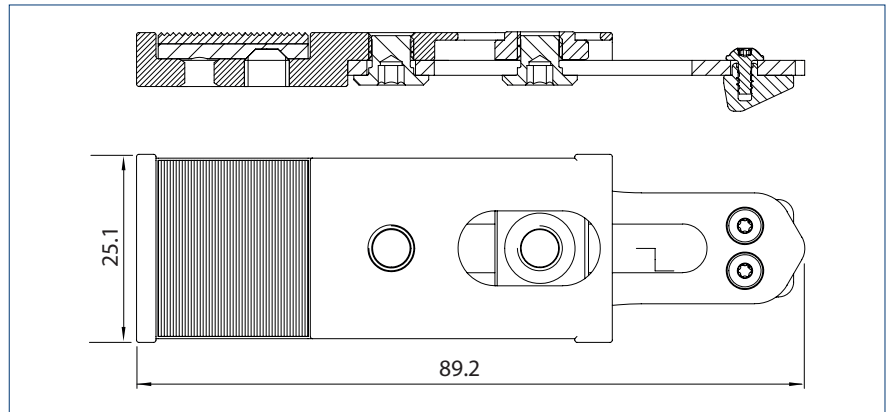


Mechanical hold-open unit Boxer 12 mm





Mechanical hold-open unit EClime



Mechanical hold-open unit EClime ISM

## AREAS OF APPLICATION

→ Hold-open of non fire protection doors

## ORDER INFORMATION

Designation	ID no.
Mechanical hold-open unit for ISM-guide rail, retention force adjustable, can be overridden <sup>1</sup>	118437
Mechanical hold-open unit for standard / T-Stop / Boxer 20.7 mm guide rail, retention force adjustable, can be switched on and off, can be overridden	071924
Mechanical hold-open unit for Boxer 12 mm guide rail, retention force adjustable, cannot be overridden	129145
Mechanical hold-open unit for EClime guide rail, retention force adjustable, can be switched on and off, can be overridden	148820
Mechanical hold-open unit for ISM guide rails/ISM BG guide rails with retrofit kit EClime ISM/ISM BG on the active leaf	154766

<sup>1</sup> Only for standard ISM guide rails

# Flexible opening restrictors

FOR RIVETED GUIDE RAIL, STANDARD GUIDE RAIL OPPOSITE HINGE SIDE, BOXER 20.7 MM GUIDE RAIL, BOXER 12 MM GUIDE RAIL AND E/R/ISM GUIDE RAIL



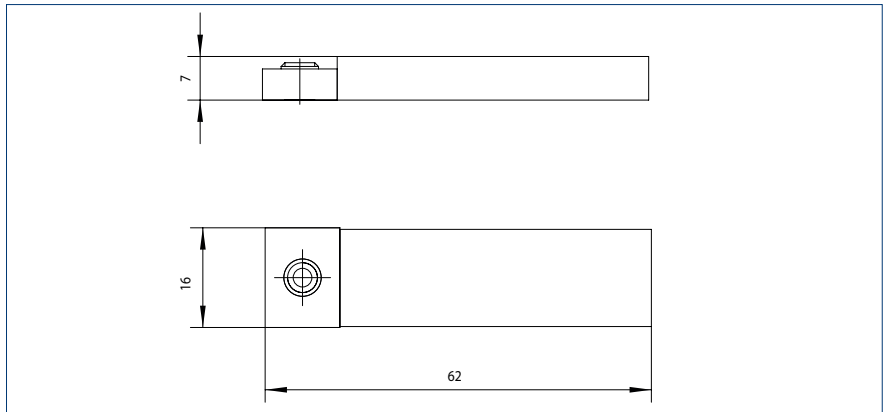
Flexible opening restrictor



Flexible opening restrictor



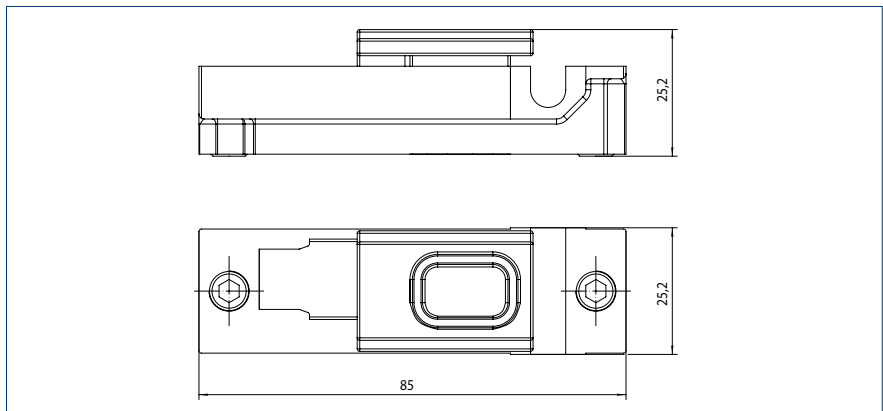
Flexible opening restrictor Boxer



Flexible opening restrictor Boxer 12 mm guide rail



Flexible opening restrictor



GEZE flexible opening restrictor E/R/ISM guide rail

## AREAS OF APPLICATION

→ Restriction of opening angle for lightweight doors

→ **Note:** The mechanical back check cannot replace a door stopper in individual cases.

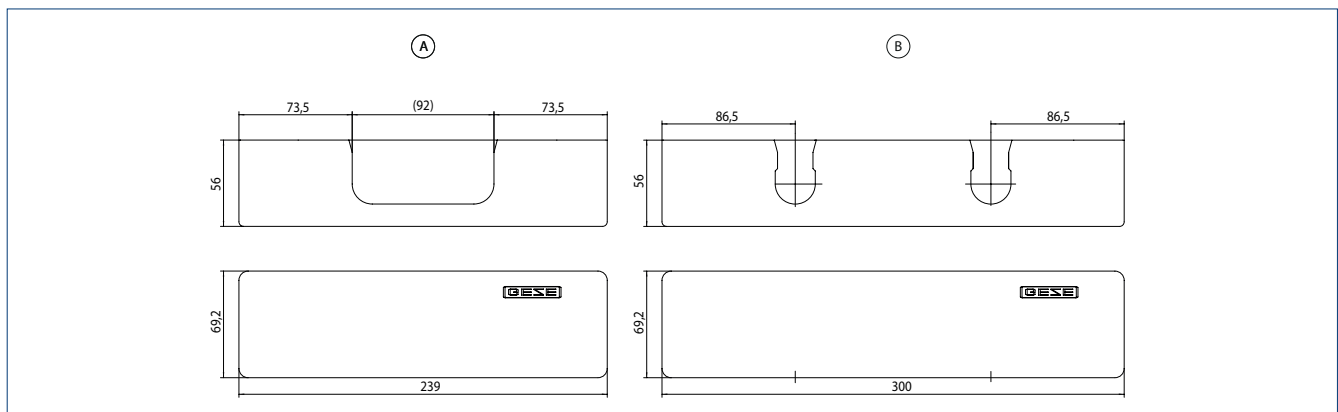
## ORDER INFORMATION

Designation	ID no.
Flexible opening restrictor for lightweight doors for riveted guide rail, standard guide rail opposite hinge side and Boxer 20.7 mm guide rail	069780
Flexible opening restrictor for lightweight doors for Boxer guide rail 12 mm	129343
Flexible opening restrictor for guide rail 1-leaf: TS 5000 E/R/RFS (door leaf installation), Boxer E; 2-leaf: all E-/R-ISM-variants TS 5000 and Boxer	145311

# Cover caps



For TS 1500, TS 3000/TS 2000 and TS 5000/TS 5000 L/TS 4000,  
can only be used for door leaf installation



A = cover cap TS 3000/TS 2000 | B = cover cap TS 5000/TS 5000 L/TS 4000



**ORDER INFORMATION**

<b>Designation</b>	<b>Version</b>	<b>ID no.</b>
Cover cap for door closers for TS 1500, can only be used for door leaf installation	silver-coloured	080147
	white RAL 9016	080149
	according to RAL	080150
Cover cap for door closers for TS 3000/TS 2000, can only be used for door leaf installation	silver-coloured	013487
	white RAL 9016	014855
	stainless steel	072769
	brass	072770
	according to RAL	014856
Cover cap for door closers for TS 5000/TS 5000 L/TS 4000, can only be used for door leaf installation	silver-coloured	067724
	white RAL 9016	067726
	stainless steel	072696
	brass	072698
	according to RAL	000756



## SWING DOOR

# General door closer accessories

Safety is extremely important for door closer systems. That is why our general accessories offer numerous applications and functions to enhance safety. For example, the GEZE FA GC 170 wireless extension allows you to wirelessly connect all hold-open systems, ceiling-mounted detectors and manual trigger switches to the lintel-mounted detector. Or the GEZE GC 152 ceiling-mounted smoke detector, which is an early warning device for detecting smouldering fires and open fires with smoke development.



# Wireless KIT FA GC 170



Set comprising GC 171 wireless module and GC 172 wireless ceiling-mounted smoke detector

## AREAS OF APPLICATION

- Installation in listed buildings without structural changes (cable routing)
- Retrofitting or extension of existing systems

## PRODUCT FEATURES

- No cable connection needed between lintel-mounted detector and ceiling-mounted detector or manual trigger switch
- Simple coupling of the wireless components
- Mixed installation (wireless/wired) possible
- Low servicing costs due to long battery life of eight years

**TECHNICAL DATA**

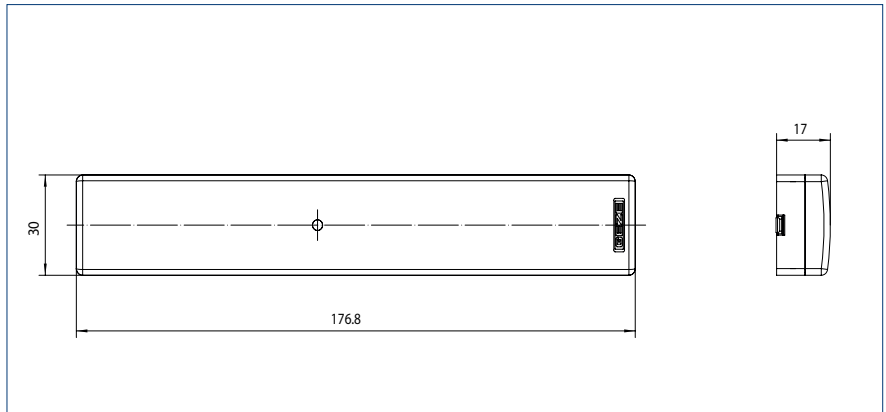
	GC 171	GC 172	GC 173	GC 175
Battery life span	8 years			
Range	10 m (100 m in space)			
Dimensions	177 x 30 x 18 mm	110 x 110 x 70 mm	110 x 110 x 70 mm	52 x 32 mm
Frequency range	868.15 - 869.85 MHz			
Ambient temperature	-5°C to 50°C			
Input voltage	24 V	Battery	Battery	Battery
IP rating	IP20			
Functional principle	–	Scattered light Adaptation of the alarm threshold	Alarm, if ambient tem- perature exceeds the alarm temperature or if the ambient temper- ature increases very quickly	Reports the state of an external potential-free contact (NO contact) to the GC 171 wireless module

**COMPONENTS**

**GC 171 WIRELESS MODULE**

The wireless module makes wireless communication possible between the trigger mechanism and the various wireless devices. The GC171 wireless module is connected to the lintel-mounted smoke switch and supplied with energy via said switch.

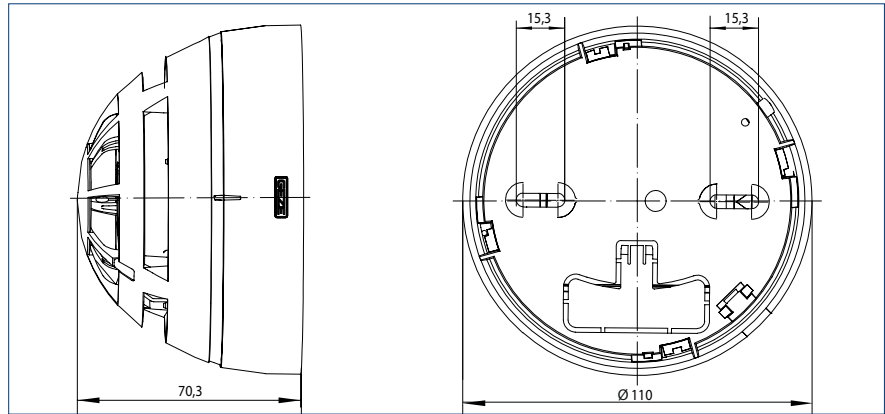
An alarm triggered at a wireless device is indicated immediately at the lintel-mounted smoke switch. Interference is displayed in less than 100 s, ensuring approval compliant and safe closing of the door.



GC 171 wireless module

### GC 172 WIRELESS SMOKE DETECTOR

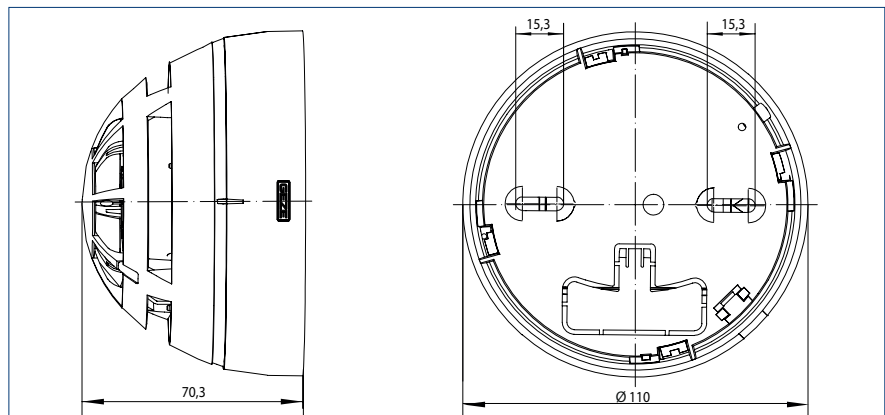
Wireless smoke detector for use in GEZE hold-open systems. The smoke detectors recognise smoke via the scattered light principle. A light transmitter and a light receiver are arranged in the measuring chamber in such a way that usually no light meets the receiver module. If there are suspended particles (e.g. smoke) in the measuring chamber, these scatter part of the light onto the receiver module, which converts this into an electric signal.



GC 172 wireless smoke detector

### GC 173 WIRELESS THERMAL DETECTOR

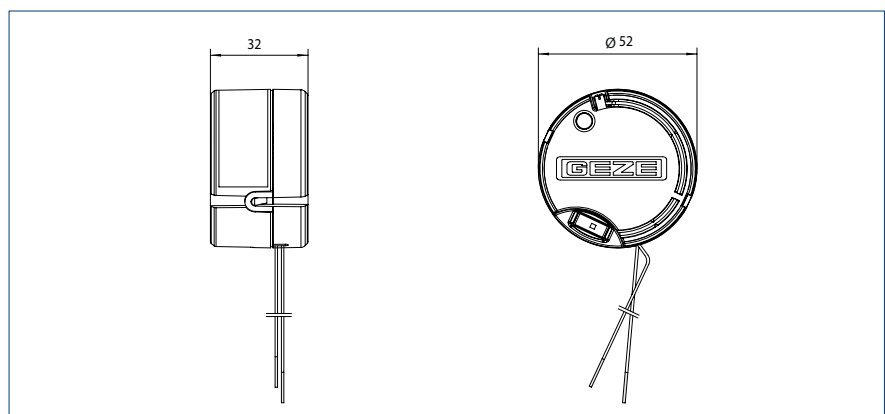
Wireless thermal detector for use in GEZE hold-open systems. Heat detectors measure the ambient temperature and respond if the temperature exceeds a certain maximum value or increases quickly within a certain time.



GC 173 wireless thermal detector

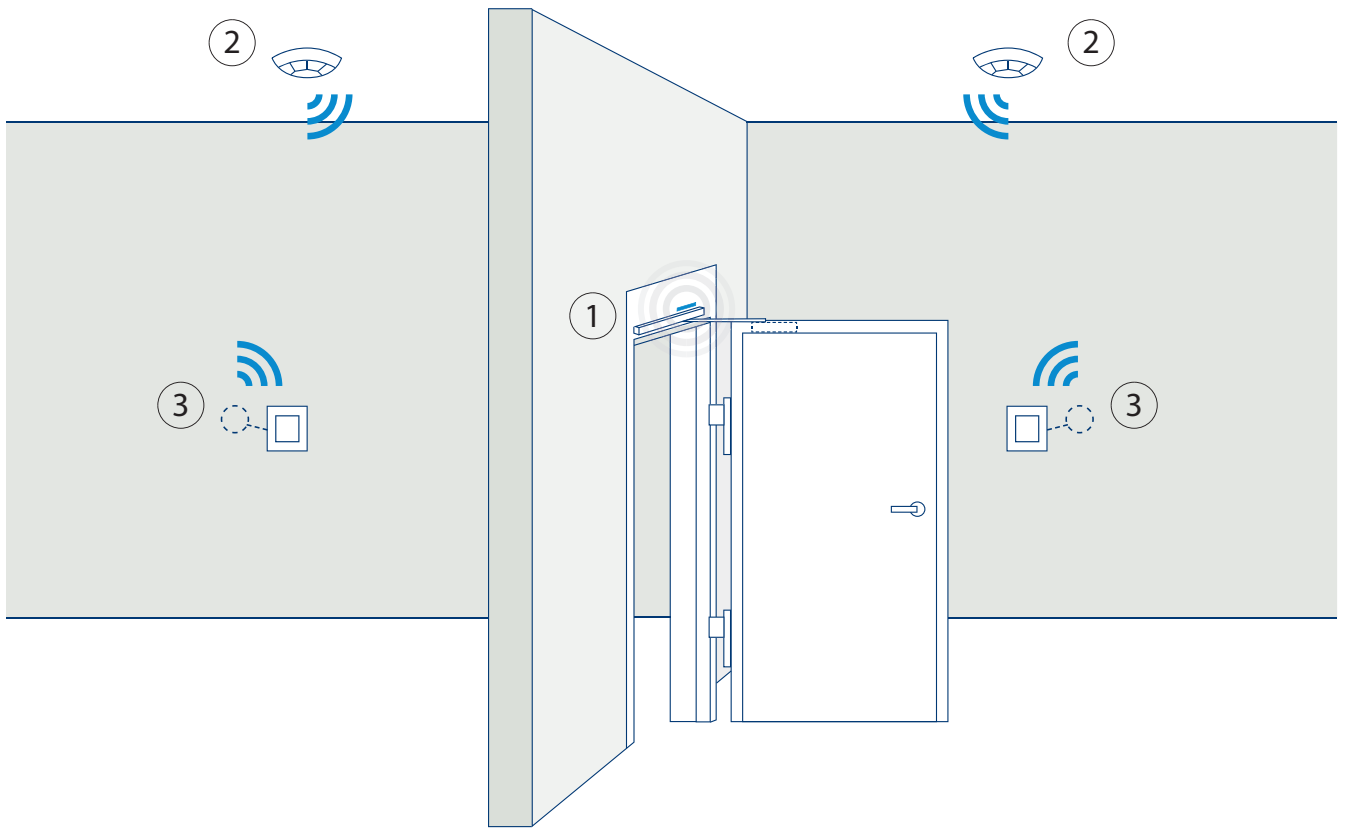
### GC 175 WIRELESS INPUT MODULE

The wireless input module can be used for wireless connection of a manual trigger switch or for additional release of a hold-open system through signals from another system, such as a fire alarm system.



GC 175 wireless input module

**EXAMPLE OF A HOLD-OPEN SYSTEM WITH WIRELESS OR WIRED COMPONENTS**



- 1 = power supply for hold-open device/trigger mechanism, e.g. R guide rail door closer, e.g. TS 5000  
GC 171 wireless module
- 2 = GC 172/GC 173 wireless detector
- 3 = manual trigger switch with GC 175 wireless input module

**ORDER INFORMATION**

Designation	Version	ID no.
FA GC 170 wireless KIT Set consisting of: 1 piece GC 171 wireless module for the wireless extension of GEZE hold-open systems and 2 pieces GC 172 wireless ceiling-mounted smoke detectors		195524
GC 171 wireless module for the wireless connection of wireless components (GC 172 wireless smoke detector; GC 173 wireless thermal detector; GC 175 wireless input module) on GEZE hold-open systems	anthracite	163051
GC 172 wireless smoke detector for the wireless connection to GEZE hold-open systems, battery-operated with 8 years battery life time, with base, tested in accordance with EN 54-7 and EN 54-25, general construction technique permit for use with all GEZE hold-open systems	white RAL 9016	195522
GC 173 wireless thermal detector for the wireless connection to GEZE hold-open systems, battery-operated with 8 years battery life time, with base, tested in accordance with EN 54-7 and EN 54-25, general construction technique permit for use with all GEZE hold-open systems	white RAL 9016	195523
GC 175 wireless input module for wireless connection of manual trigger switches to the GEZE GC 171 wireless module, can be used for all GEZE hold-open systems	black	163068

**ACCESSORIES**

Manual trigger switch for the manual release of electrically controlled hold-open devices including terminating resistor for line monitoring	alpine white/red	116266
---	------------------	--------







# GC 152 and GC 153 ceiling-mounted detectors



For GEZE hold-open systems

## GC 152 SMOKE DETECTOR

### AREAS OF APPLICATION

- For flexible use in all GEZE FA GC 150 hold-open systems
- For the early detection of fires in hold-open systems

### PRODUCT FEATURES

- Optical smoke detection
- Integrated adaption of the alarm threshold for a longer service life
- Integrated line monitoring
- Self-resetting
- Tested in accordance with EN 54-7

## GC 153 THERMAL DETECTOR

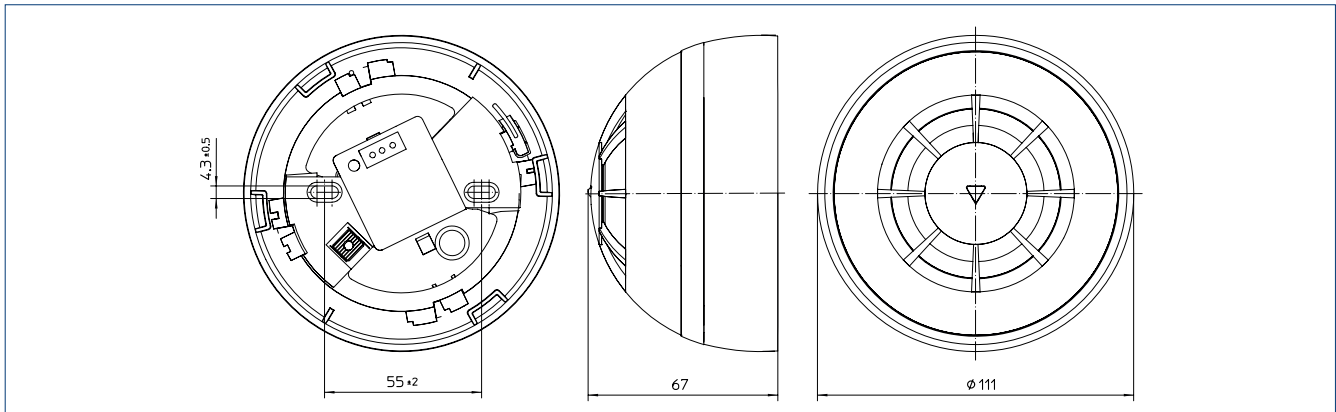
### AREAS OF APPLICATION

- For flexible use in all GEZE FA GC 150 hold-open systems
- In dust-loaded environments (not on escape routes)

### PRODUCT FEATURES

- Detection of increase in temperature
- Integrated line monitoring
- Self-resetting
- Tested in accordance with EN 54-5

### PRODUCT SCALE DRAWING



### ORDER INFORMATION

Designation	Version	ID no.
GC 152 smoke detector Complete with base, 24 V DC, 20 mA, tested in accordance with EN54-7, with general approval for use with all GEZE hold-open systems, integrated line monitoring, conform with DIN EN 14637	white	139850
	according to RAL	170523
GC 153 thermal detector Complete with base, 24 V DC, 20 mA, tested in accordance with EN54-5, with general approval for use with all GEZE hold-open systems, integrated line monitoring, conform with DIN EN 14637	white	139881
	according to RAL	170524

### ACCESSORIES

Manual trigger switch for the manual release of electrically controlled hold-open mechanisms including terminating resistor for line monitoring	alpine white/red	116266
Surface-mounted box, single suitable for the AS 500 switch range		120503
Manual trigger switch with glass pane and 5 interchangeable labels for the manual release of electrically controlled hold-open devices	alpine white/red	120880
Replacement glass pane for 120880 and 120881 manual trigger switch		010994
Wall attachment bracket for GC ceiling-mounted detectors Lintel installation possibility for ceiling-mounted detectors of the GC15x series	white	150264

# RSZ 7 smoke switch control unit



Extendable smoke switch control unit  
for all GEZE hold-open devices

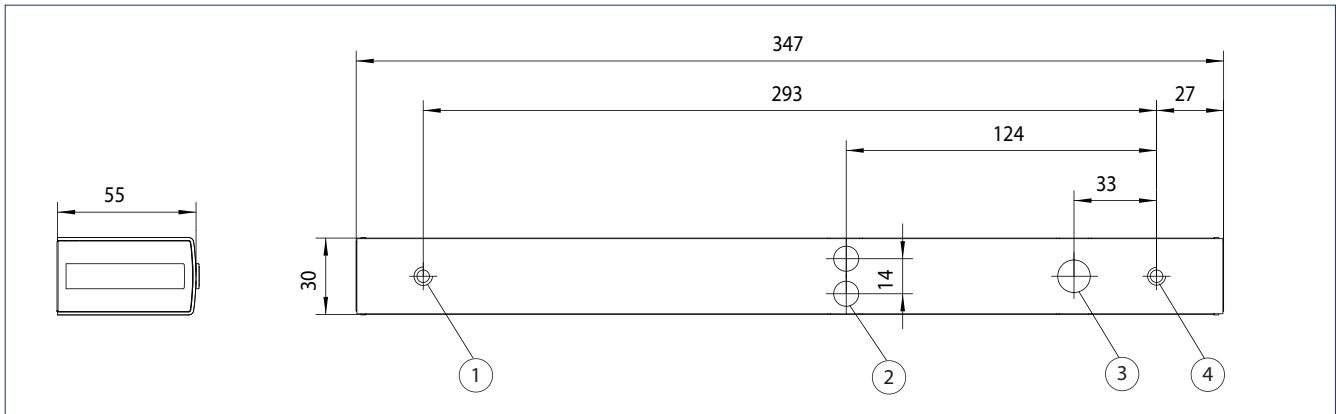
## AREAS OF APPLICATION

- Approved for all GEZE hold-open devices for the early detection of fire and smoke
- Difficult lintel situations, for example with too little space above the smoke chamber
- Installation above the active leaf on the vertical wall
- Installation possible with surface-mounted line-feed

## PRODUCT FEATURES

- Telescopic function for bridging overhangs of up to 30 mm
- Connection to 230 V power supply and 24 V DC supply of the hold-open device
- Voltage supply of the hold-open system is interrupted in the case of an alarm and the doors close
- Integrated smoke switch with automatic adaption of the alarm threshold
- Compensates for light contamination of the smoke chamber and thus increases the service life
- Visual display of the current control unit status
- Additional smoke switches can be connected
- Surface-mounted line-feed possible

PRODUCT SCALE DRAWING



1 = Thread M5 | 2 = Opening for additional connections | 3 = Power supply (230 V) | 4 = Thread M5

ORDER INFORMATION

Designation	Version	ID no.
RSZ 7 smoke switch control unit Smoke switch control unit for all GEZE hold-open devices	silver-coloured	181025
	white RAL 9016	184195
	simulated stainless steel <sup>1</sup>	184196
	according to RAL <sup>2</sup>	185231

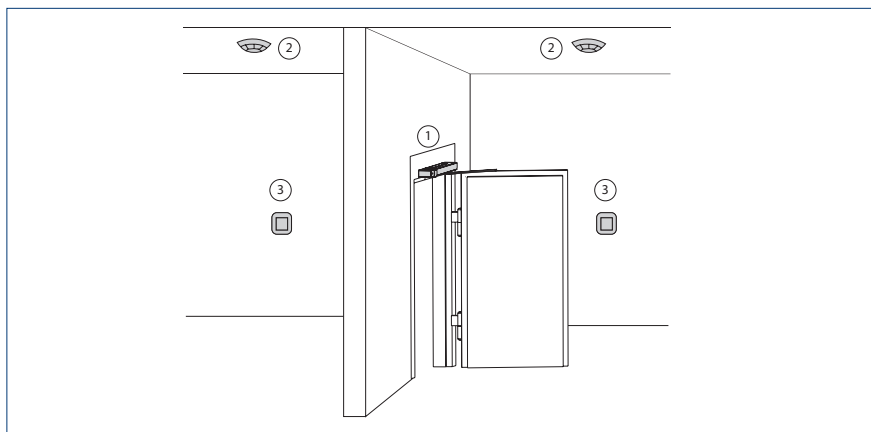
ACCESSORIES

FA GC 170 wireless KIT Set consisting of: 1 piece GC 171 wireless module for the wireless extension of GEZE hold-open system and 2 pieces GC 172 wireless ceiling-mounted smoke detectors		163692
GC 171 wireless module for the wireless connection of wireless components (GC 172 wireless smoke detector; GC 173 wireless temperature detector; GC 175 wireless input module) on GEZE hold-open systems	anthracite	163051
GC 172 wireless smoke detector for wireless connection to GEZE hold-open systems, battery-operated, with base, tested in accordance with EN 54-7 and EN 54-25, general construction technique permit for use with all GEZE hold-open systems	white RAL 9016	159656
GC 173 thermal detector for wireless connection to GEZE hold-open systems, battery-operated, with base, tested in accordance with EN 54-5 and EN 54-25, general construction technique permit for use with all GEZE hold-open systems	white RAL 9016	159657
GC 175 wireless input module for wireless connection of manual trigger switches to the GEZE GC 171 wireless module, applicable for all GEZE hold-open systems	black	163068
GC 152 smoke detector Complete with base, 24 V DC, 20 mA, tested in accordance with EN54-7, with general approval for use with all GEZE hold-open systems, integrated line monitoring, conform with DIN EN 14637	white	139850
	according to RAL	170523
GC 153 thermal detector Complete with base, 24 V DC, 20 mA, tested in accordance with EN54-5, with general approval for use with all GEZE hold-open systems, integrated line monitoring, conform with DIN EN 14637	white	139881
	according to RAL	170524
Manual trigger switch for the manual release of electrically controlled hold-open mechanisms including terminating resistor for line monitoring	alpine white/red	116266
Surface-mounted box, single suitable for the AS 500 switch range		120503
Manual trigger switch with glass pane and 5 interchangeable labels for the manual release of electrically controlled hold-open devices	alpine white/red	120880
Replacement glass pane for 120880 and 120881 manual trigger switch		010994

<sup>1</sup> Only for dry rooms | <sup>2</sup> Surcharge for RAL special colours, see General Notes in the price list.

# Manual trigger switch

## FOR THE MANUAL RELEASE OF ELECTRICALLY CONTROLLED HOLD-OPEN DEVICES



1 = lintel-mounted detector | 2 = ceiling-mounted detectors | 3 = manual trigger switch

## ORDER INFORMATION

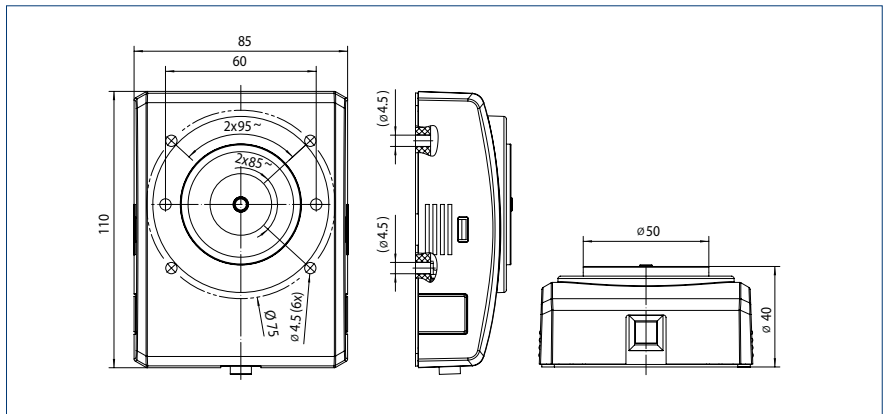
Designation	Version	ID no.
Manual trigger switch for the manual release of electrically controlled hold-open mechanisms including terminating resistor for line monitoring	alpine white/ red	116266
Manual trigger switch with glass pane and 5 interchangeable labels for the manual release of electrically controlled hold-open devices	alpine white/ red	120880
Surface-mounted box, single suitable for the AS 500 switch range		120503
Surface-mounted box, double suitable for the AS 500 switch range		128609
Surface-mounted box, triple suitable for the AS 500 switch range		133206
Replacement glass pane for 120880 and 120881 manual trigger switch		010994

# Hold-open magnets

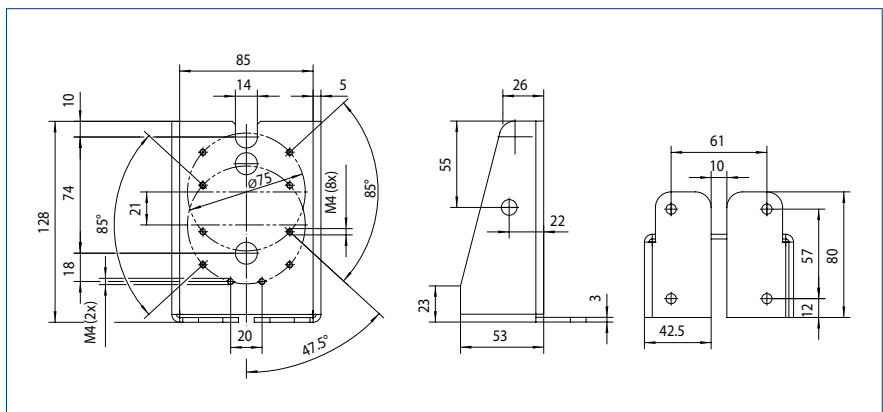
Electric hold-open magnets are used as hold-open devices to keep fire protection doors open. They must be linked to a smoke detection system that deactivates the holding current in the event of fire. As a result, the door is released and closed by the door closer.

The device is controlled by the GEZE RSZ 7 smoke switch control unit, or the smoke switch integrated into the GEZE R guide rails. Regardless of this, the door can be released from holding open using manual trigger switches which also deactivate the holding current.

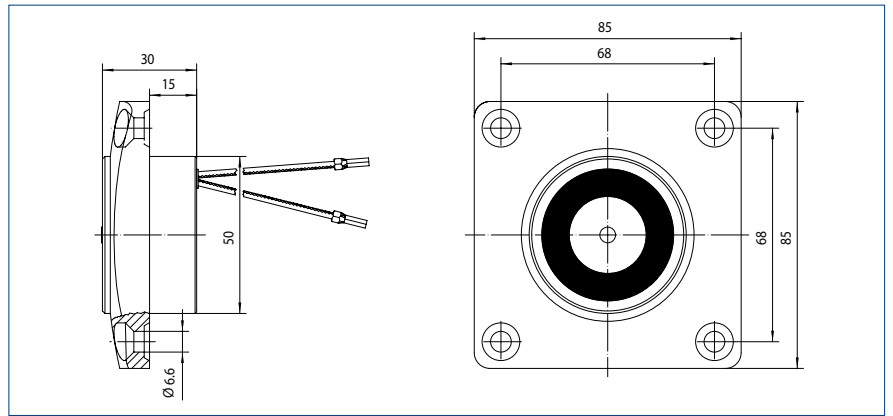
GEZE hold-open magnets are listed in the general construction technique permit for GEZE hold-open systems as hold-open devices, e.g. FA GC 150, under the designation GT 50 R.



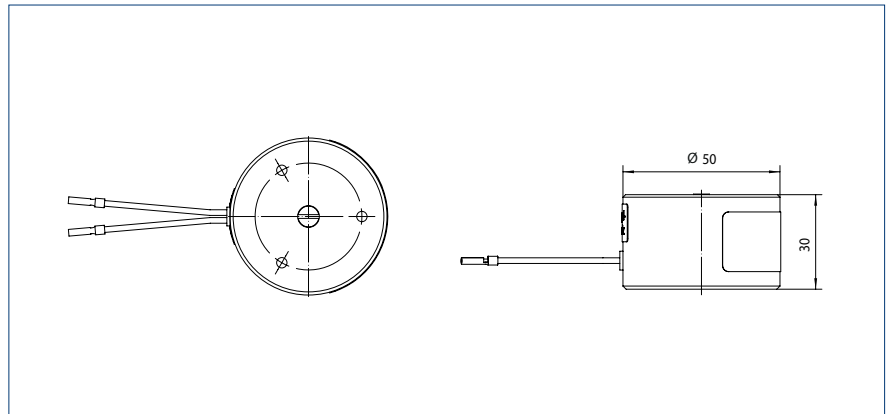
Hold-open magnet, surface mounting



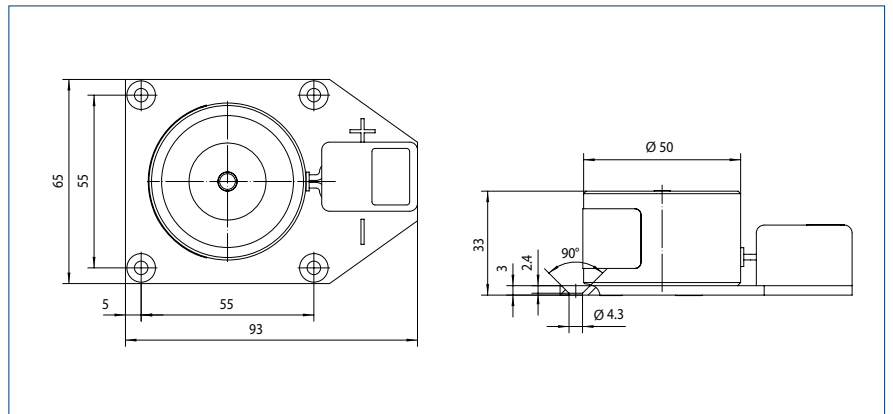
Floor installation base



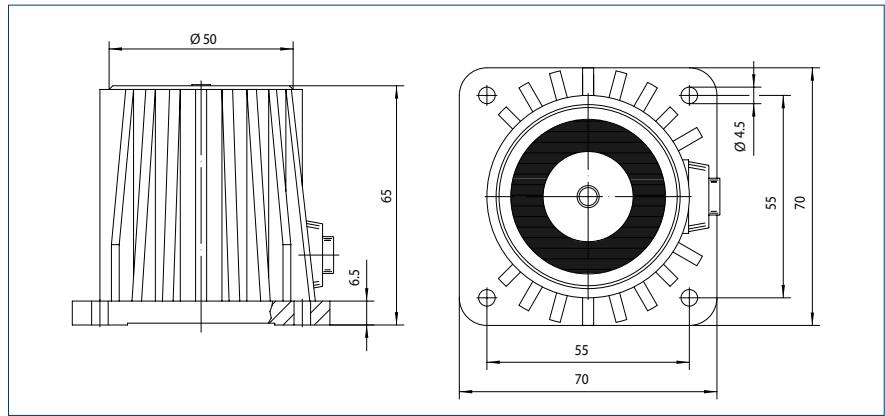
Hold-open magnet, flush mounting



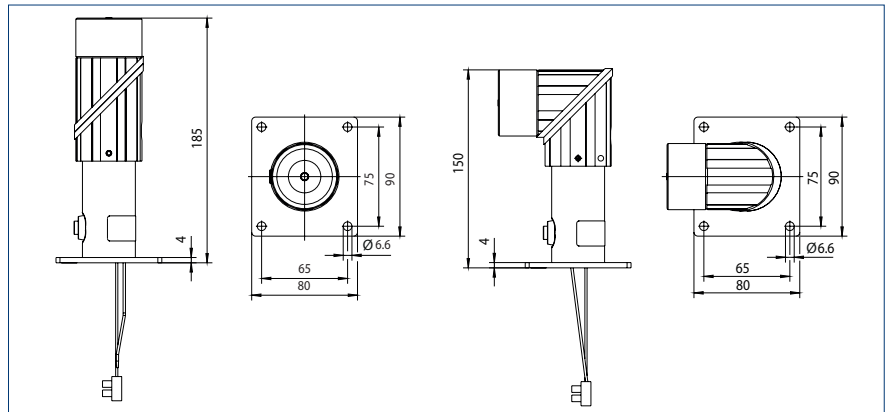
Hold-open magnet basic model



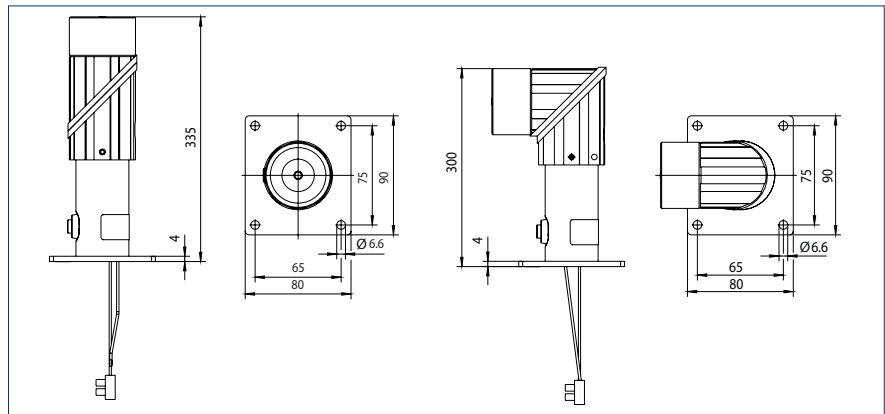
Hold-open magnet, basic model with clamp



Hold-open magnet wall installation



Hold-open magnet wall/ceiling/floor 185 mm

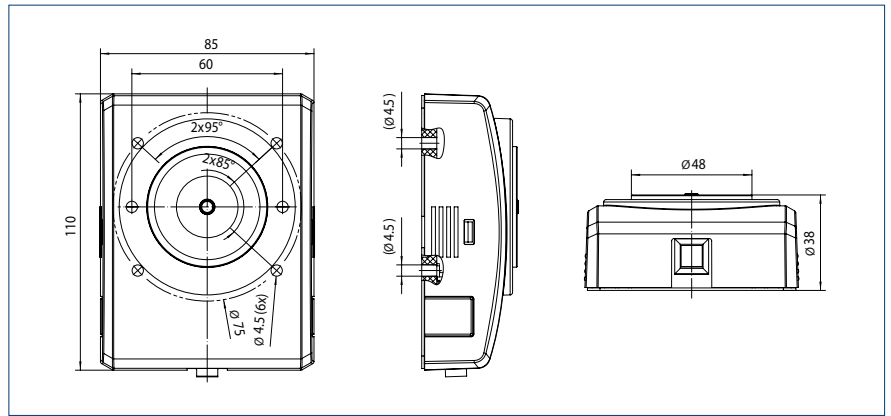


Hold-open magnet wall/ceiling/floor 335 mm





Hold-open magnet incl. counter plate



International variant – tested in accordance with EN 1155, not approved with GEZE hold-open systems by the building authorities in Germany

## ORDER INFORMATION

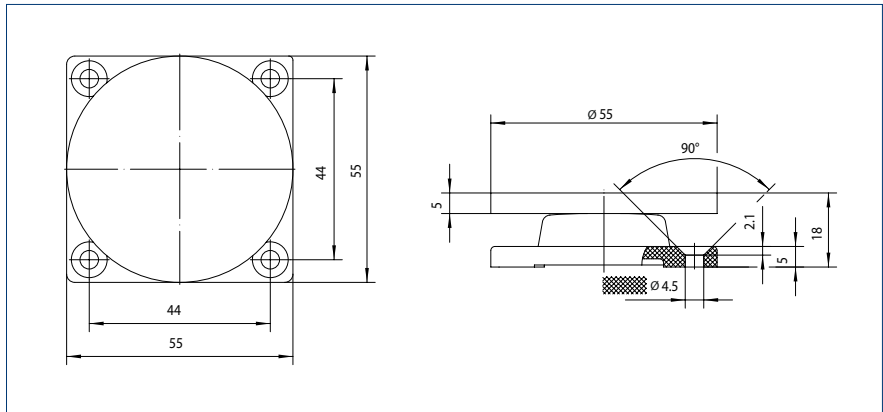
Designation	ID no.
Hold-open magnet, 24 V DC - 490 N retention force, approved for all GEZE smoke switch control units Wall installation surface or floor mounted with accessories base	155569
Floor installation base for GEZE hold-open magnet Base for hold-open magnet surface mounting	155574
Hold-open magnet, 24 V DC - 490 N retention force, approved for all GEZE smoke switch control units Flush-mounted wall installation	155567
Hold-open magnet, 24 V DC - 490 N retention force, approved for all GEZE smoke switch control units Basic model, without mounting plate, screw fixture on the back	115830
Hold-open magnet, 24 V DC - 490 N retention force, approved for all GEZE smoke switch control units Wall mounting, with base plate	115829
Hold-open magnet, 24 V DC - 490 N retention force, approved for all GEZE smoke switch control units Wall installation with base 65 mm	155573
Hold-open magnet, 24 V DC - 490 N retention force, approved for all GEZE smoke switch control units Wall/ceiling installation, stand pipe 185 mm, easy to shorten, magnetic head adjustable through 90°	115952
Hold-open magnet, 24 V DC - 490 N retention force, approved for all GEZE smoke switch control units Wall/ceiling installation, stand pipe 335 mm, easy to shorten, magnetic head adjustable through 90°	115953
GEZE hold-open magnet, 230 V AC - 400 N retention force, not approved with GEZE hold-open systems by the building authorities in Germany Wall installation surface mounting including magnetic counterplate with joint	155572
Hold-open magnet, 24 V DC - 200 N retention force, not approved with GEZE hold-open systems by the building authorities in Germany Wall installation surface mounting including magnetic counterplate with joint	155570
Hold-open magnet, 48 V DC - 200 N retention force, not approved with GEZE hold-open systems by the building authorities in Germany Wall installation surface mounting including magnetic counterplate with joint	155571

# Magnetic counter plates for hold-open magnets

## STANDARD VERSION, VERSION WITH SPRING BUFFER AND ADJUSTABLE JOINT



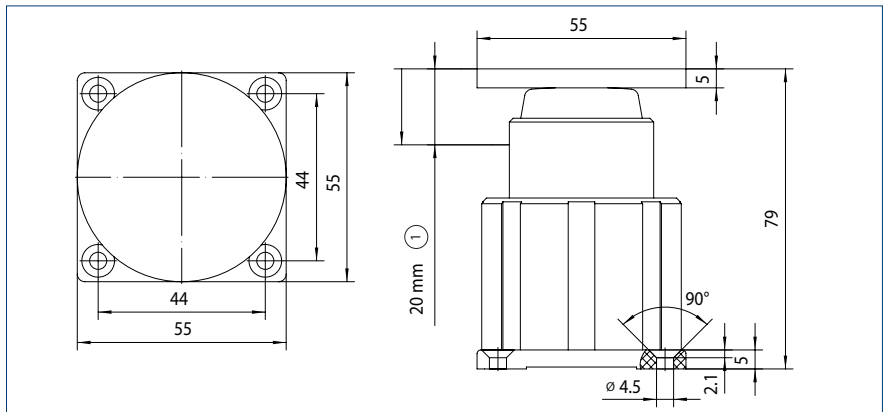
Standard magnetic counter plate



Standard magnetic counter plate on mounting plate with spring system for flatness with hold-open magnet



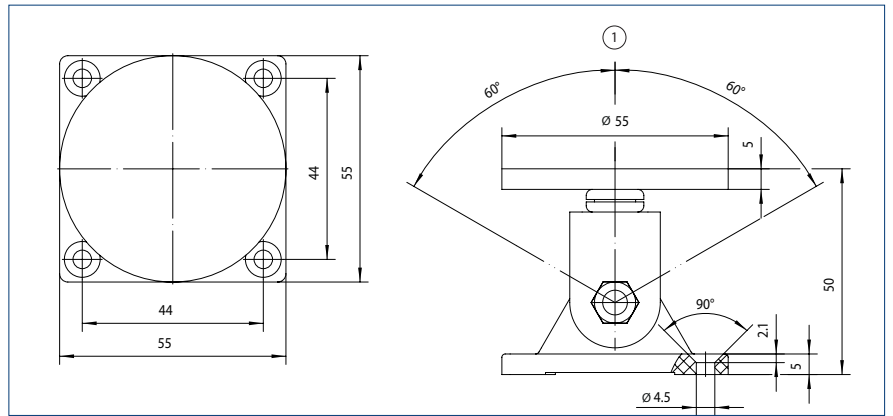
Magnetic counter plate with spring buffer



Magnetic counter plate with spring buffer on mounting plate with damping spring for soft-spring-mounted end stop for heavy doors | 1 = 20 mm spring deflection



Magnetic counter plate with joint



Magnetic counter plate with joint on mounting plate with additional calibration for external angle positions between door and hold-open magnet | 1 = swivelling range approx. 60°

## ORDER INFORMATION

Designation	ID no.
Magnetic counter plate for hold-open magnets Standard version, rubber support	115954
Magnetic counter plate for hold-open magnets Version with spring buffer	115955
Magnetic counter plate for hold-open magnets Version with adjustable joint	115956

# We are GEZE.

## For liveable buildings

GEZE stands for innovation, high quality and comprehensive support of building technologies. From the initial idea, planning and operational implementation with standard products to customised system solutions and individual service and maintenance plans. We offer an extensive product range of door, window and safety technology products and are a major driving force behind the digital networking of building automation.

### **GEZE GmbH**

Reinhold-Vöster-Strasse 21 – 29

71229 Leonberg

Germany

Telephone: +49 7152 203 0

Fax: +49 7152 203 310

Email: [info.de@geze.com](mailto:info.de@geze.com)

**[www.geze.com](http://www.geze.com)**