

# Slimdrive SLT

Product family

EN Pre-installation instructions

192480-01



## Contents

1	Introduction.....	3
1.1	Symbols and illustrations .....	3
1.2	Revisions and validity.....	3
1.3	Product liability .....	3
1.4	Reference documents.....	3
2	Fundamental safety notes.....	4
2.1	Intended use.....	4
2.2	Safety notes .....	4
2.3	Safety-conscious working .....	5
2.4	Environmentally conscious working.....	5
2.5	Safety notes related to transportation and storage.....	5
2.6	Qualification .....	5
3	About this document.....	6
4	Overview.....	6
4.1	Diagrams.....	6
4.2	Tools and aids.....	6
4.3	Torques .....	6
4.4	Components and assembly groups.....	7
4.5	Bill of material VP-Kit Slimdrive SL .....	7
4.6	Bill of material VP-Kit Slimdrive SLT supplementary kit .....	8
5	Pre-mounting.....	8
5.1	Machining track, cover and mounting profile .....	8
5.2	Installing the roller carriage.....	8
5.3	Installing stop buffers .....	8
5.4	Preparing the track cap .....	9
5.5	Installing the track cap .....	9
5.6	Connecting the contact on the toothed belt locking (optional) .....	10
5.7	Installing the drive components.....	11
5.8	Installing cable guides.....	12
5.9	Connecting transformer and control unit.....	12
5.10	Connecting motor gear unit and control unit .....	14
5.11	Connecting the tooth belt locking mechanism (optional) and control unit.....	15
5.12	Fitting the transformer ground.....	17
5.13	Connecting the rechargeable battery and control unit .....	17
6	Device safety test and production test.....	18
6.1	Unplugging the cables.....	18
7	Preparation for installation.....	19
7.1	Mounting the cover suspension piece .....	19
7.2	Installing the cover earthing .....	20
7.3	Installing the side plates .....	21




# 1 Introduction

## 1.1 Symbols and illustrations

### Warning notices




In these instructions, warning notices are used to warn against material damage and injuries.

- ▶ Always read and observe these warning notices.
- ▶ Observe all measures marked with the warning symbol and warning word.

Warning symbol	Warning word	Meaning
	<b>DANGER</b>	Danger to persons. Non-compliance will result in death or serious injuries.
	<b>WARNING</b>	Danger to persons. Non-compliance can result in death or serious injuries.
	<b>CAUTION</b>	Danger to persons. Non-compliance can result in minor injuries.

### Further symbols and illustrations

Important information and technical notes are highlighted to explain correct operation.

Symbol	Meaning
	means "important note". Information to prevent property damage, to understand or optimise the operation sequences.
	means "additional Information"
	Symbol for an action: This means you have to do something. ▶ If there are several actions to be taken, keep to the given order.

## 1.2 Revisions and validity

Version 01: valid for Slimdrive SLT product family from date of manufacture 2021.

## 1.3 Product liability

In compliance with the liability of the manufacturer for his products as defined in the German "Product Liability Act", compliance with the information contained in this brochure (product information and intended use, misuse, product performance, product maintenance, obligations to provide information and instructions) must be ensured. Failure to comply releases the manufacturer from his statutory liability.

## 1.4 Reference documents

Type	Name
Wiring diagram	Automatic sliding doors DCU1-NT/DCU1-2M-NT
Additional wiring diagrams	Automatic sliding doors DCU1-2M-NT, door controller DCU1-2M-NT for automatic sliding doors in escape routes, FR variants DUO, LL, RWS
Installation instructions	Slimdrive SLT product family
Installation instructions	Slimdrive SLT with girder section and side panel
Pre-installation instructions	Leaf and side panel profile systems
Additional installation instructions	Rod locking

These documents are subject to change. Use only the most recent version.

## 2 Fundamental safety notes



GEZE GmbH is referred to as GEZE below.

### 2.1 Intended use

The sliding door system is used for the automatic opening and closing of a building passage.

The sliding door system may only be used in a vertical installation position and in dry rooms within the permitted application area.

The sliding door system is designed for pedestrian traffic in buildings.

The sliding door system is not designed for the following uses:

- for industrial use
- for area of application which do not serve pedestrian traffic (such as garage doors)
- on mobile objects such as ships

The sliding door system may only be used:

- in the modes of operation provided for by GEZE
- with the components approved/released by GEZE
- with the software delivered by GEZE
- in the installation variants / types of installation documented by GEZE
- within the tested/approved area of application (climate / temperature / IP rating)

Any other use is considered non-intended and will lead to the exclusion of all liability and warranty claims to GEZE.

### 2.2 Safety notes

- Intervention and modifications which influence the safety technology and functionality of the sliding door system may only be carried out by GEZE.
- Problem-free and safe operation assumes proper transportation, proper set-up and installation, qualified operation and correct maintenance have taken place.
- The relevant accident prevention regulations and other generally recognised safety technology or health & safety rules must be kept.
- Only original accessories, original spare parts and accessories approved by GEZE guarantee problem-free function of the sliding door system
- The mandatory installation, maintenance and repair work must be performed by properly trained personnel authorised by GEZE.
- The country-specific laws and regulations are to be observed during safety technology tests.
- If unauthorised changes are made to the system, GEZE cannot be held liable in any way whatsoever for any resulting damage, and the statement of approval for use in escape and rescue routes is no longer valid.
- GEZE does not accept any warranty for combinations with third-party products.
- Only original GEZE parts may be used for repair and maintenance work.
- The connection to the mains voltage must be completed by an electrician or specialised electrical technician. Perform the power connection and protective earth connection test in accordance with VDE 0100 Part 600.
- Use an on-site 10-A overload cut-out as the line-side disconnecting device.
- Protect the display programme switch against unauthorised access.
- In compliance with Machinery Directive 2006/42/EC, a risk analysis must be performed and the door system identified in accordance with CE Marking Directive 93/68/EEC before the door system is commissioned.
- Observe the latest versions of guidelines, standards and country-specific regulations, in particular:
  - DIN 18650: "Building hardware – Powered automatic doors"
  - VDE 0100, Part 600: "Installation of low-voltage systems"
  - EN 16005: "Power operated pedestrian doorsets – Safety in use– Requirements and test methods"
  - EN 60335-1: "Household and similar electrical appliances - Safety Part 1: General requirements"
  - EN 60335-2-103: "Household and similar electrical appliances - Safety: Special requirements for drives for gates, doors and windows"
- Do not loosen screw-fitted , electrical ground connections.



The product should be installed or incorporated in such a way that effortless access to the product is guaranteed during any repairs and/or maintenance, and that any removal costs do not stand out of proportion to the value of the product.

## 2.3 Safety-conscious working

- Secure workplace against unauthorised entry.
- Use only the cables specified on the cable plan provided. Cables must be shielded in compliance with the wiring diagram.
- Secure loose, internal drive cables with cable ties.
- Before working on the electrical system:
  - Disconnect the drive from the 230 V mains and secure it against being switched back on again. Check isolation from power supply.
  - Disconnect the control unit from the 24 V rechargeable battery.
- Note that if an Uninterruptible Power Supply (UPS) is used, the system will still be supplied with voltage despite the fact that the power supply is disconnected.
- Always use insulated wire-end ferrules for wire cores.
- Make sure of sufficient lighting.
- Risk of injury with opened drive. Hair, clothing, cables, etc. can be drawn in by rotating parts.
- Risk of injury caused by unsecured crushing, impact, drawing-in or shearing spots.
- Risk of injury due to sharp edges on the drive and door leaf.
- Risk of injury during installation through freely moving parts.

## 2.4 Environmentally conscious working

- When disposing of the door system, separate the different materials and have them recycled.
- Do not dispose of batteries and rechargeable batteries with household waste.
- Comply with the statutory regulations when disposing of the door system and the batteries/rechargeable batteries.

## 2.5 Safety notes related to transportation and storage

- ▶ Do not throw, do not drop.
- ▶ Avoid heavy impacts.
- Storage temperatures under  $-30\text{ }^{\circ}\text{C}$  and above  $+60\text{ }^{\circ}\text{C}$  can result in damage to the device.
- Protect against humidity.
- Dry, well ventilated, closed, weather-proof and UV-protected rooms are suitable as storage areas.

## 2.6 Qualification

Observe country-specific regulations!

Applicable in Germany:

Companies that carry out the pre-assembly of sliding door drives for escape routes must be licensed as an expanded manufacturing facility by the testing institution that issued the type approval certificate.

### 3 About this document

These instructions describe the pre-assembly of automatic sliding door drives in the Slimdrive SLT product family.

## 4 Overview

### 4.1 Diagrams

Number	Type	Name
70487-0-007	Drive drawing	Slimdrive SLT, drive
70493-0-010	Drive drawing	Slimdrive SL-FR, drive
70484-2-0572	Component drawing	Cover, bespoke SL/SLT
70484-2-0574	Component drawing	Track SLT, bespoke
70487-2-0218	Component drawing	Mounting profile, bespoke
70717-2-0256	Component drawing	Mount, drilled SL/SLT
70717-2-0268	Component drawing	Mount, cut to length SL/SLT



The diagrams are subject to change without notice. Use only the most recent version.

### 4.2 Tools and aids

Tool	Closer size
Tape measure	
Marking pen	
Torque spanner	
Allen key	2 mm, 2.5 mm, 3 mm, 4 mm, 5 mm, 6 mm
Open-ended spanner	8 mm, 10 mm, 13 mm, 15 mm
Ring spanner	8 mm
Screwdriver set	Floor guide slit up to 6 mm, cross-slot PH2 and PZ2
Side-cutting pliers	
Crimping pliers for cables	
Wire stripper	
Multimeter	
Display programme switch/Service terminal ST220/GEZEconnects	

### 4.3 Torques

The torques are given at the respective installation step.

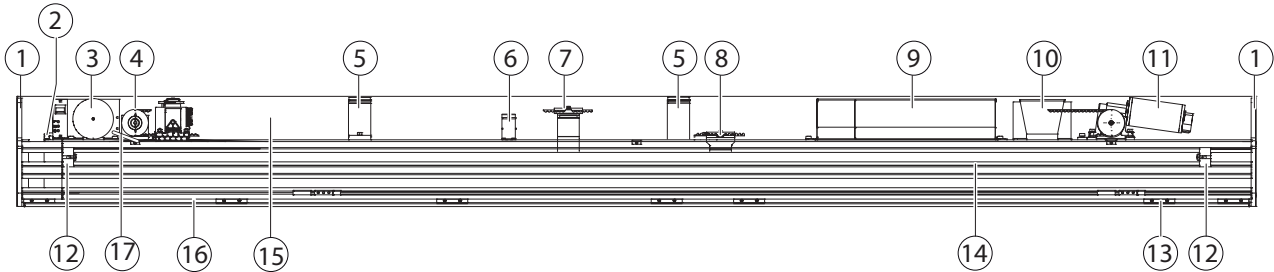
## 4.4 Components and assembly groups

These illustrations show the equipment of a standard drive in 4-leaf and 2-leaf version.

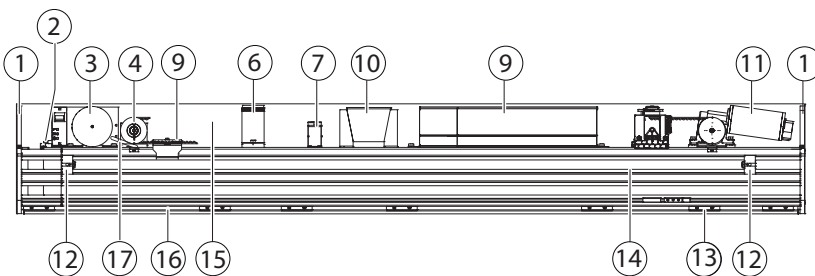
The drive is composed of the Slimdrive SL VP kit and the relevant Slimdrive SLT supplementary kit.

The structure of the assembly groups can vary depending on the drive equipment or version. Precise details about positioning of the individual components are provided on the drive drawing.

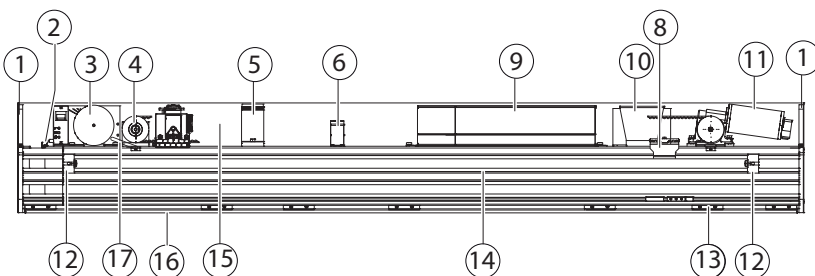
### 4-leaf



### 2-leaf, right hand slide to open



### 2-leaf, left hand slide to open



## 4.5 Bill of material VP-Kit Slimdrive SL

1	Side plate	9	Control unit	▫ Belt locks	▫ Accessories for cable fastening
2	Transformer ground	10	Rechargeable battery	▫ Roller carriage SL	▫ Installation instructions
3	Transformer			▫ Accessories for cover earthing	▫ User manual
4	Deflection pulley	11	Motor gear unit	▫ Identification plate	▫ Wiring diagram
5	Cover fixing bracket	12	Stop buffer	▫ Div. clear adhesive labels	▫ Log book
6	Cable guide	13	Terminal strip	▫ Accessories attachment drive components	▫ Safety analysis
7	Driver, long	14	Track	▫ Accessories cover lock	▫ EC Installation Declaration of Conformity
8	Driver, short	15	Cover		▫ Type test mark
		16	Mounting profile		▫ Drive drawing
		17	Transformer cable		

## 4.6 Bill of material VP-Kit Slimdrive SLT supplementary kit

- |                                   |  |  |   |
|-----------------------------------|--|--|---|
| ▫ Roller carriage                 | ▫ Cover for side plate SLT (black)     | ▫ Installation instructions cover plate for SLT  | ▫ EC Installation Declaration of Conformity |
| ▫ Cap SLT                         | ▫ Cover for rope pulley right and left | ▫ Drive drawings                                 | ▫ Accessories SLT VP                        |
| ▫ Driver, long                    | ▫ Wire rope fixing                     | ▫ Pre-mounting and installation instructions SLT | ▫ Identification plate                      |
| ▫ Driver, left hand slide to open |  |  | ▫ Cap                                       |
| ▫ Side plate SLT                  |  |  |   |

## 5 Pre-mounting

### 5.1 Machining track, cover and mounting profile

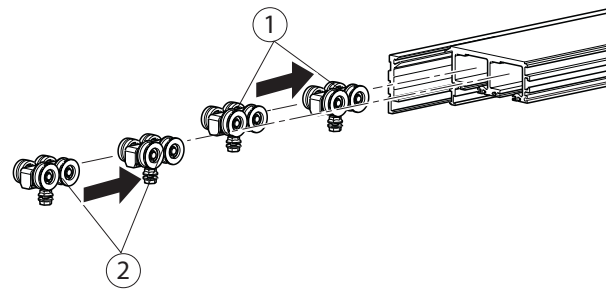
- ▶ Check profiles for damage.
- ▶ Cut the track, cover and mounting profile to the required length (see machining drawings Chapter 4.1).
- ▶ Check whether additional fastening bore holes are necessary (see machining drawings Chapter 4.1).
- ▶ Clean the track, drive and mounting profile after machining.

### 5.2 Installing the roller carriage



For use of the roller carriage with or without anti-tilt device see drive drawing.

- ▶ Before inserting the roller carriage, clean the running surfaces of the track and rollers.
- ▶ Insert the roller carriage (1) for inner moving leaf and roller carriage (2) for outer moving leaf into the track at the side.

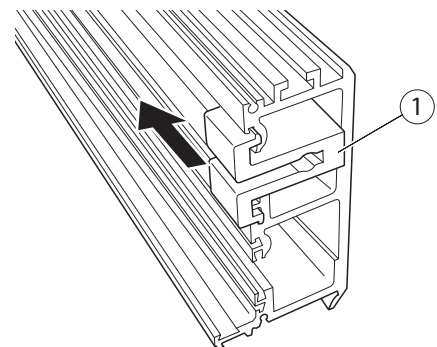


### 5.3 Installing stop buffers



During installation, the rubber buffers must point in the direction of the middle of the track.

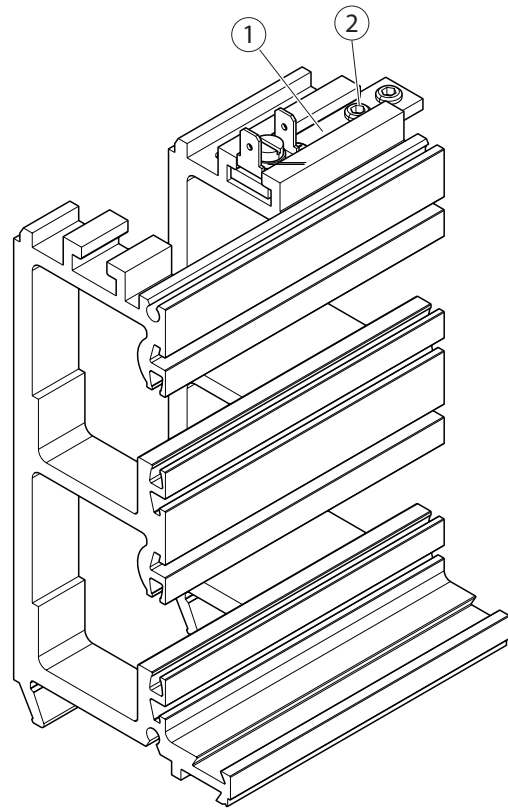
- ▶ Push stop buffers (1) into the front groove and position the roller carriages to secure transport at the right and left.
- ▶ Tighten the stop buffers **lightly** using an Allen key. The exact position of the stop buffers (1) is specified during moving leaf installation.
- ▶ Secure the roller carriages against moving in the rear groove.





## 5.4 Preparing the track cap

- ▶ Slide earthing jumpers (1) into the mounting groove in accordance with the drive drawing.
- ▶ Screw on the earth jumpers (1) using the screw (2) (torque 4 Nm).



## 5.5 Installing the track cap



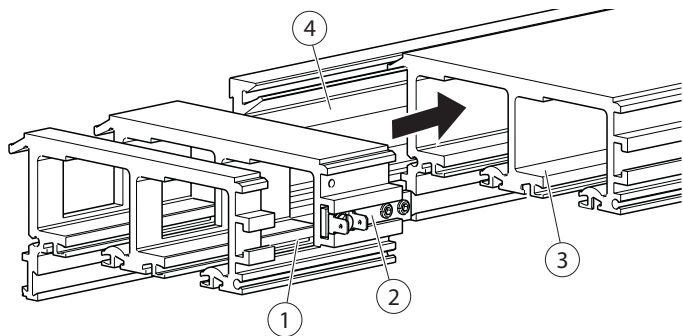
### WARNING!

**Risk of fatal injury due to electric shock!**

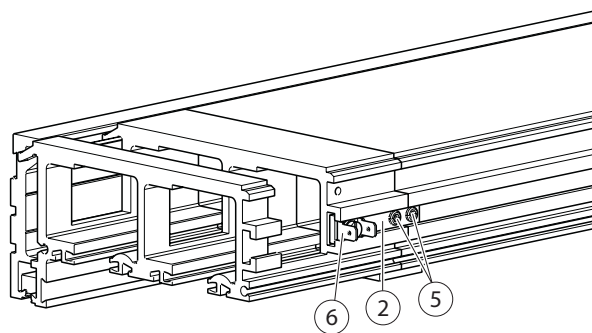
**The track is not earthed if there is a poor connection between cap (1) and track (3).**

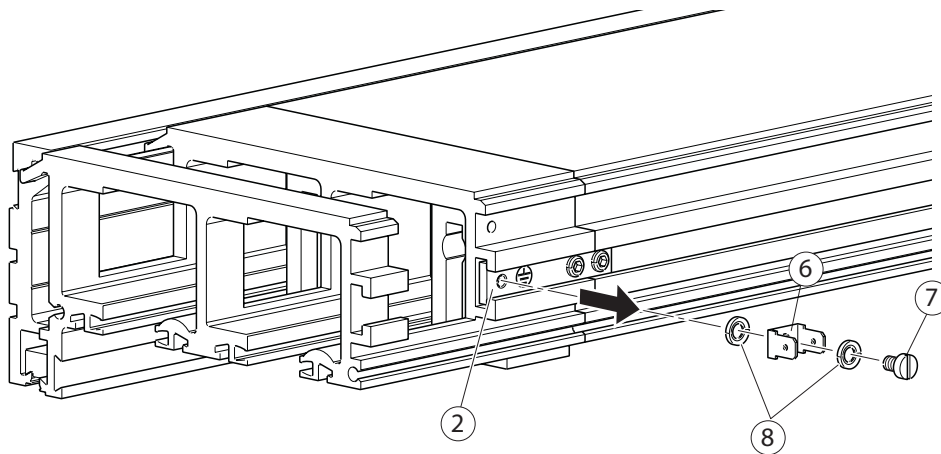
- ▶ Tighten the setscrews (5) so that the anodised coatings of the cap and the track are penetrated.

- ▶ Slide the cap (1) with earthing jumper (2) inserted on the mounting profile (4) up to the track (3).

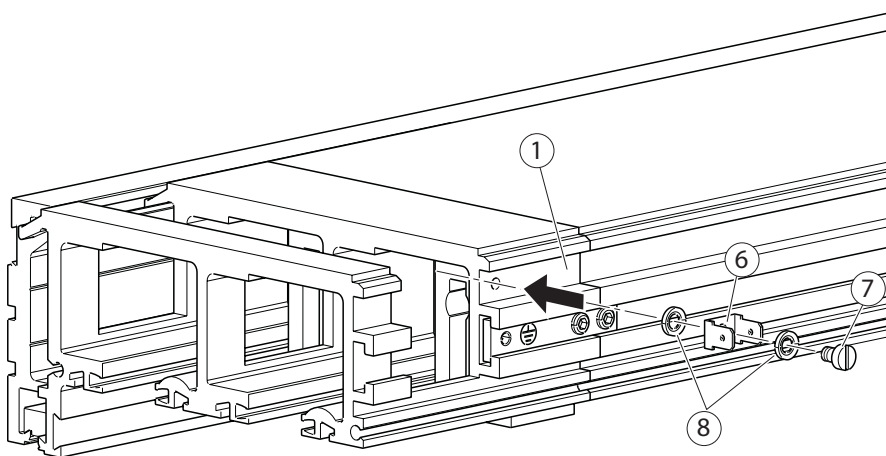


- ▶ Connect cap (1) to the track using the earthing jumper (2).
- ▶ To do this, align the earthing jumper (2) so that one setscrew (5) is in the cap and the other setscrew (5) is in the track.
- ▶ Tighten the setscrews (5) (torque 4 Nm).





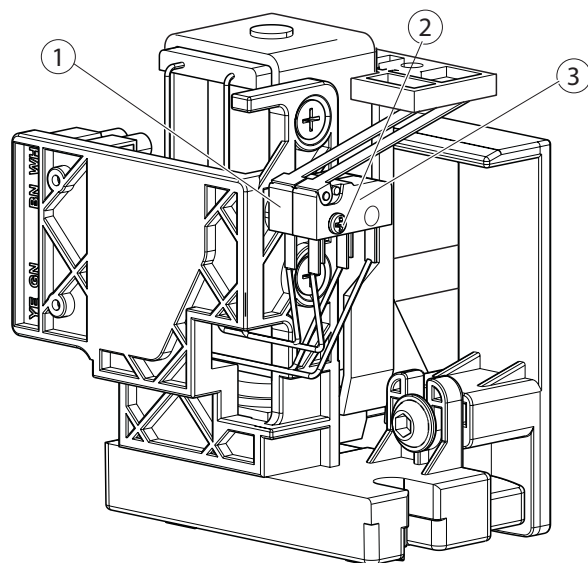
- ▶ Unscrew the device flat plug (6) with screw (7) and two toothed washers (8) from the earthing jumper (2).



- ▶ Mount the device flat plug (6) using the screw (7) and two toothed washers (8) in the provided drill hole on the cap (1) (torque 1.5 Nm).

## 5.6 Connecting the contact on the toothed belt locking (optional)

- ▶ Remove the screws (2) on the feedback switch (1) of the tooth belt locking mechanism.
- ▶ Place the alarm contact switch (3) on the feedback switch (1).
- ▶ Fasten both switches with the longer screw (2) from the retrofitting set on the tooth belt locking mechanism.
- ▶ Connect the cable for the tooth belt locking mechanism.
- ▶ Shorten the switching flag of the alarm contact switch if necessary.

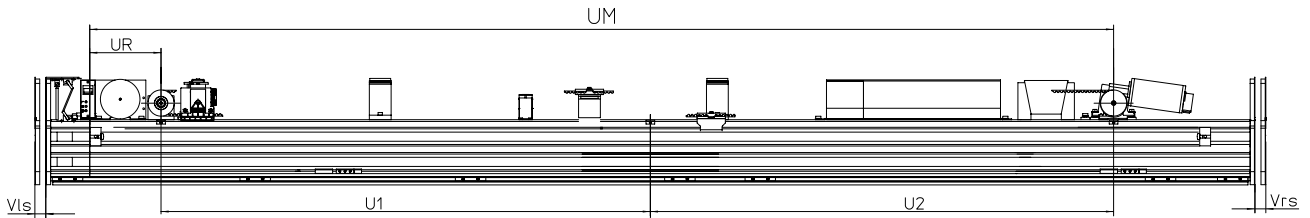


## 5.7 Installing the drive components

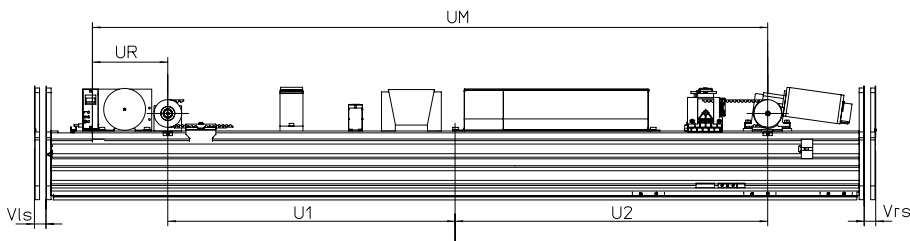


The exact positioning of the components is given on the drive drawings.

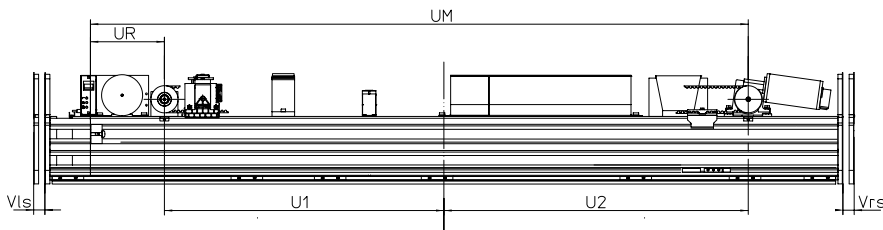
Illustrated: 4-leaf, ÖW 2000 mm



Illustrated: 2-leaf, right hand slide to open, ÖW = 1000 mm



Illustrated: 2-leaf, left hand slide to open, ÖW = 1000 mm



### Legend:

ÖW	Opening width	UR	Position of deflection pulley
U1	Deflection pulley	Vrs	Extension left
U2	Deflection pulley motor gear unit	Vls	Extension right
UM	Position of motor gear unit		



When the drive is extended (Vls / Vrs) the positions of the components must be adapted accordingly.

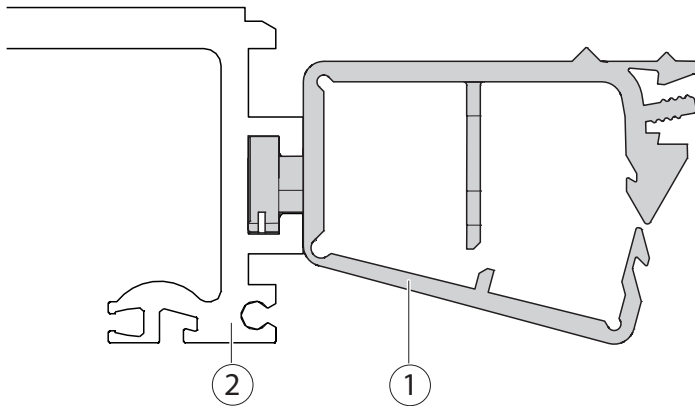
- ▶ Push the sliding blocks into the track from the right. For the arrangement, see the drive diagram.
- ▶ Install the components with the screws provided in accordance with the drawing.
  - Deflection pulley tightening torque 15 Nm
  - Tightening torque for other components 10 Nm

## 5.8 Installing cable guides



### Cables can be cut!

- ▶ Lay cables in such a way that there are no cables near the moving parts. Spacing approx. 200 mm.



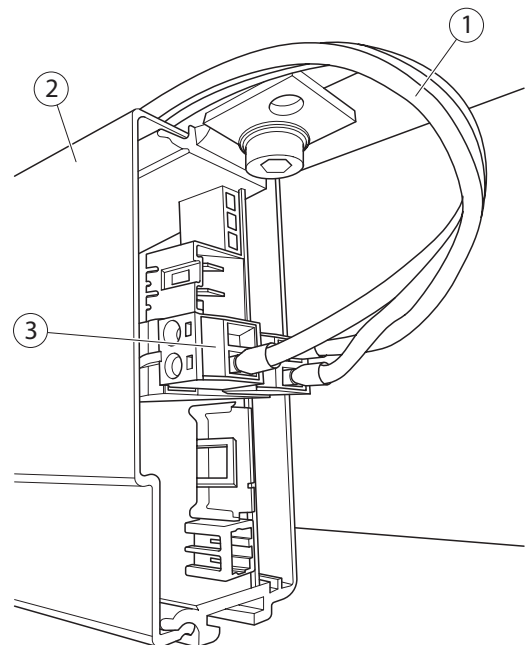
- ▶ Fix the cable guide (1) on the track (2).

## 5.9 Connecting transformer and control unit

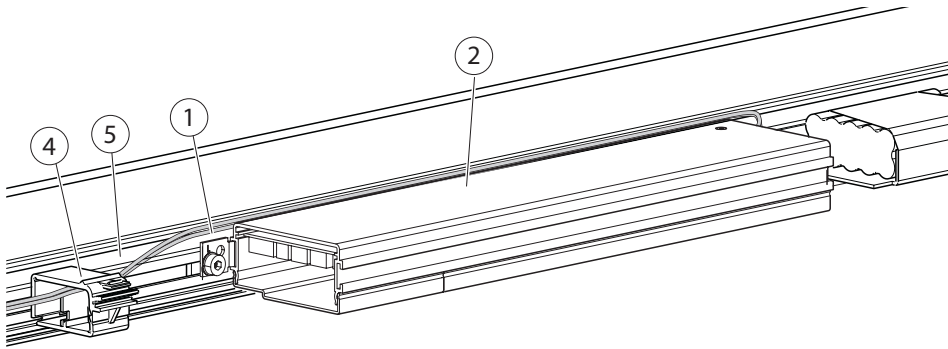


- ▶ Make sure that cables are cut to length and routed in such a way that they do not become jammed when the cover is positioned and cannot come into contact with moving components.

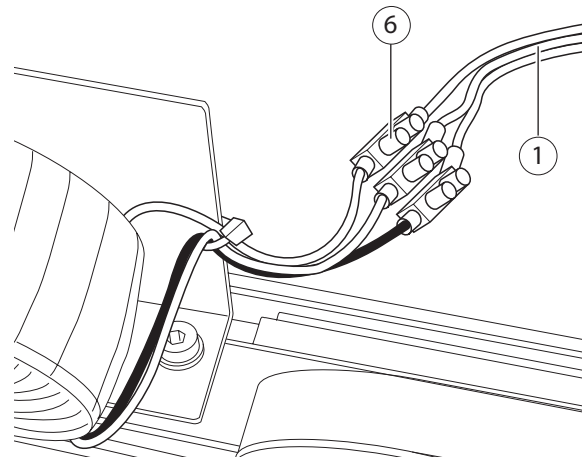
- ▶ Cut the three-wire cable (1) to length.
- ▶ Strip both ends and attach insulated wire-end ferrules.
- ▶ Attach the plug (3) to the control unit (2).
- ▶ Plug the connector (3) into the control unit (2).



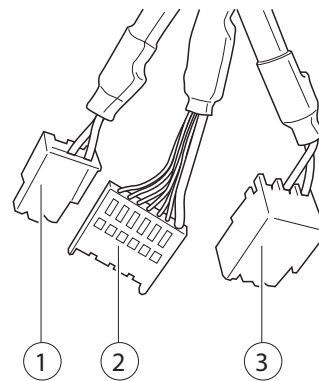
- ▶ Note earthing connection!
- ▶ Do not mix up wires!



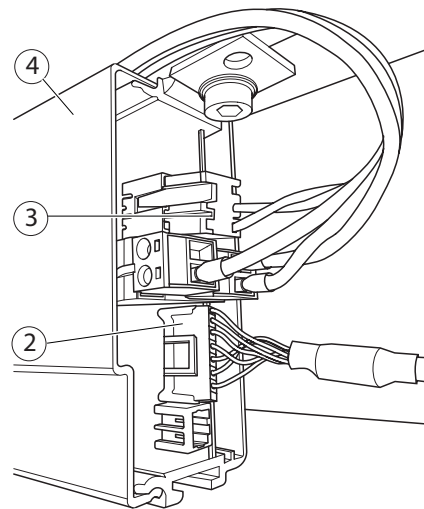
- ▶ Guide the transformer cable (1) between the control unit (2) and track (5).
- ▶ Route the transformer cable (1) from the control unit (2) through the cable guides (4) to the transformer.
- ▶ Fit the transformer cable (1) to terminal (6) of the transformer.



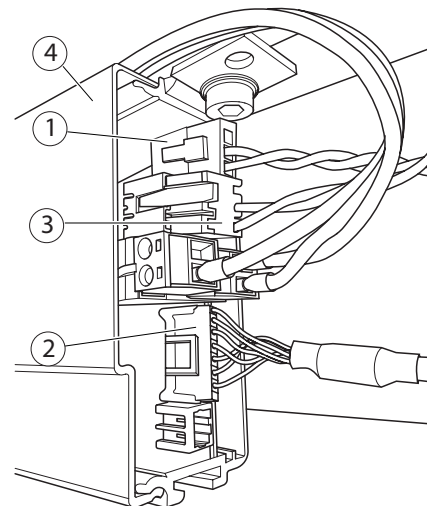
## 5.10 Connecting motor gear unit and control unit

**Slimdrive SLT**

- ▶ Lay the rotary encoder cable (2) and motor connection cable (3) to the control unit.
- ▶ Insert the connector into the control unit (4).

**Slimdrive SLT-FR**

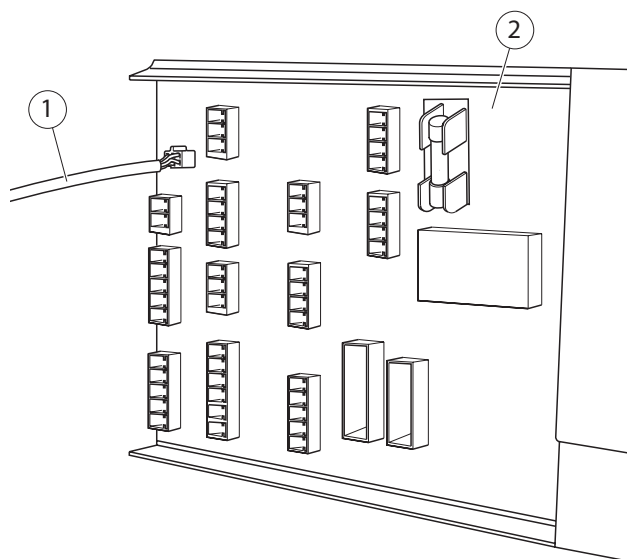
- ▶ Lay rotary encoder cable (2), motor connection cable (3) and motor connection cable of the second Slimdrive SL NT-FR motor gear unit (1) to the control unit.
- ▶ Insert the connector into the control unit (4).



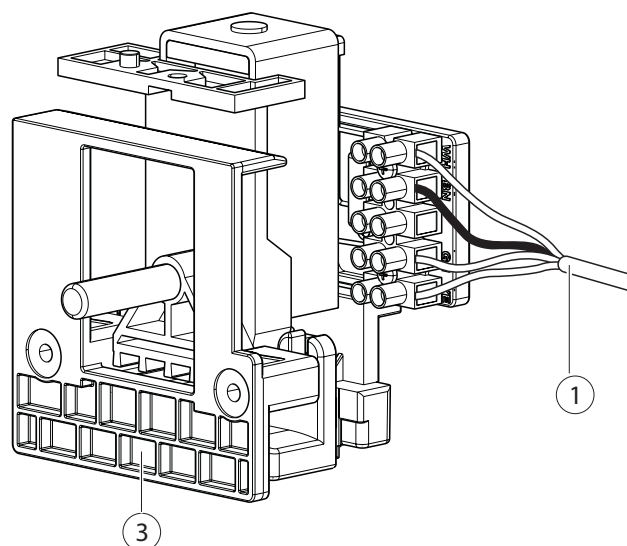
Do not plug rechargeable battery cable into the control unit yet.  
The rechargeable battery is not connected to the control unit until the production test and commissioning.

## 5.11 Connecting the tooth belt locking mechanism (optional) and control unit

- ▶ Plug the cable for tooth belt locking mechanism (1) in at the control unit (2).



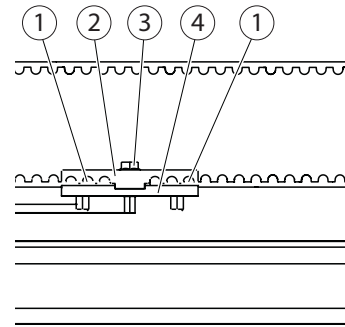
- ▶ Lay the cable for tooth belt locking mechanism (1) through the cable guide to the tooth belt locking mechanism (optional) (3), shorten if necessary, strip and attach the insulated wire-end ferrules.
- ▶ Connect the tooth belt locking mechanism as shown on the wiring diagram.



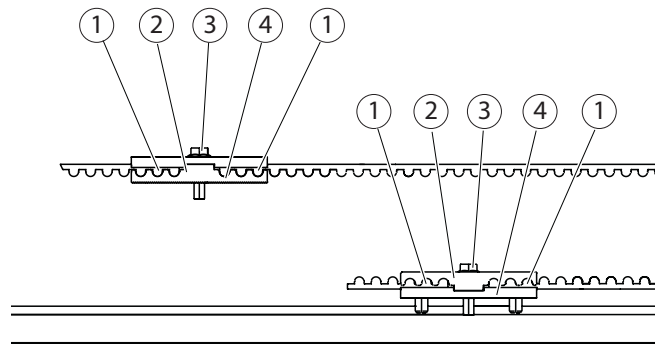
## 5.11.1 Fitting the toothed belt

**2-leaf**

- ▶ Thread the tooth belt on the motor pulley and deflection pulley, shorten if necessary.
- ▶ Insert the ends of the tooth belt (1) into the clamping piece (4) (3 teeth per side) and fix using the counter clamping piece (2) and the hollow screw (3).

**4-leaf**

- ▶ Insert the ends of the tooth belt (1) into the clamping piece (4) of the belt lock near the drive (3 teeth per side) and fix using the counter clamping piece (2) and the hollow screw (3).
- ▶ Thread the tooth belt on the motor pulley and deflection pulley, shorten if necessary.
- ▶ Insert the ends of the tooth belt (1) into the clamping piece (4) of the second belt lock (3 teeth per side) and fix using the counter clamping piece (2) and the hollow screw (3).

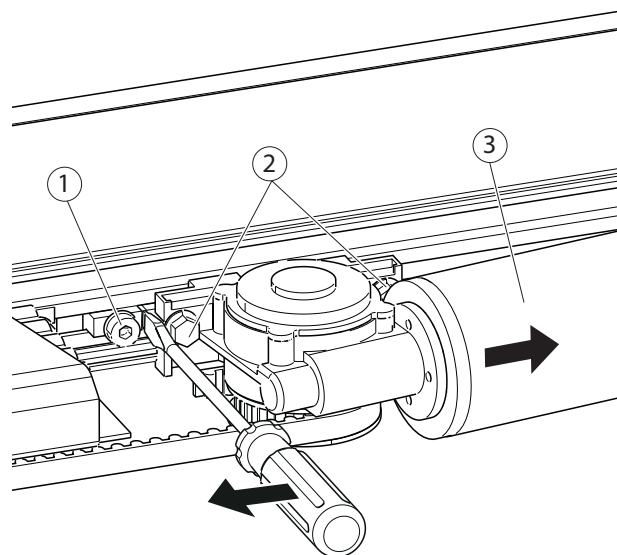


## 5.11.2 Tensioning the tooth belt



- ▶ The tooth belt must be pre-tensioned with  $300\text{ N} \pm 35\text{ N}$  (see drive drawing).

- ▶ Undo 2 screws (2).
- ▶ Slide the motor gear unit (3) to the right by hand.
- ▶ Undo the screw (1) and move the sliding block in such a way that a slot-head screwdriver can be pushed between the sliding block and the motor gear unit.
- ▶ Tighten the screw (1) (torque 10 Nm).
- ▶ Push the slot-head screwdriver into the gap and lever it until the tooth belt is pre-tensioned.
- ▶ Tighten 2 screws (2) (torque 15 Nm).

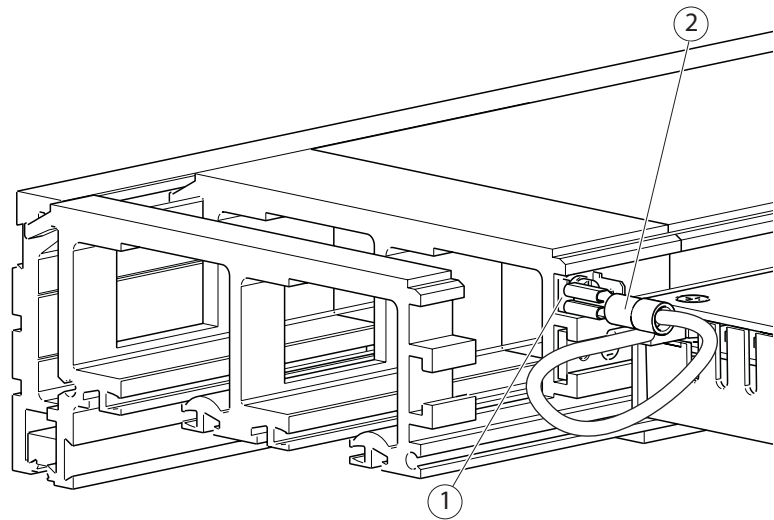




## 5.12 Fitting the transformer ground

- ▶ **!** The transformer must be positioned according to the drawing so that it covers the track sufficiently and fulfills the electrical safety requirements.

- ▶ Connect the earthing cable (2) from the transformer to the device flat plug (1).



## 5.13 Connecting the rechargeable battery and control unit



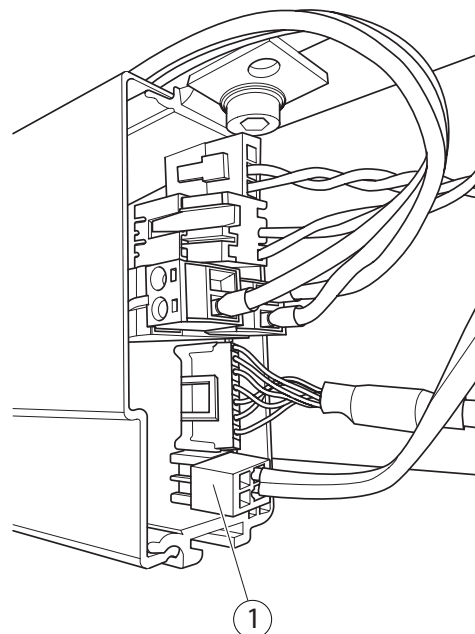
### CAUTION!

**Risk of injury due to impact and crushing!**

**When the rechargeable battery cable (1) is plugged in, the pulley on the motor gear unit and the tooth belt may move suddenly.**

- ▶ Do not reach into the area of moving parts.

- ▶ Check whether the rechargeable battery cable (1) is long enough.
- ▶ If necessary, plug the rechargeable battery extension cable to the rechargeable battery cable.
- ▶ Route the rechargeable battery cable (1) to the control unit.
- ▶ Insert the connector into the control unit.



## 6 Device safety test and production test



### WARNING

#### Risk of fatal injury due to electric shock!

- ▶ The electrical system (230 V/115 V) may only be connected and disconnected by a professional electrician or specialist electrical technician.



- ▶ Distance between belt lock and deflection pulley, pulley, motor gear unit and any tooth belt locking mechanism min. 220 mm.

- ▶ Complete a device safety test according to EN 60335-1 Annex A.

The device safety test consists of the following parts:

- Protective earth test with 10A test current
- Insulation strength testing (high voltage test) with 1000 VAC

A testing device suitable for this standard must be used.

#### Testing process

- ▶ Connect the mains cable with the mains plug to the transformer.
- ▶ Insert the mains plug in the testing device.
- ▶ Start the test on the testing device.
- ▶ Use the probe to test all metal parts connected to the protective conductor in sequence.  
The low ohm connection between the PE line of the mains cable and the metal part contacted with the probe is tested in each case.

Use the probe to contact at least the following test points:

- Transformer metal bracket
- PE connection on the secondary side of the transformer (luster terminal)
- Device flat plug for transformer ground connection
- Track cap (blank, non-anodised area)

All protective earth connections must have a resistance of less than 0.1 Ω.

- ▶ Then start an insulation strength test (high voltage test) on the testing device.



- ▶ Only drives that have passed the device safety test may be operated.

The results of the device safety test must be documented in a traceable manner along with the serial number of the drive.

After the device safety test, do not remove the device flat plug of the ground connection from the track cap.

- ▶ Carry out the production test as described in the wiring diagram "Automatic sliding doors DCU1-NT/DCU1-2M-NT".

### 6.1 Unplugging the cables

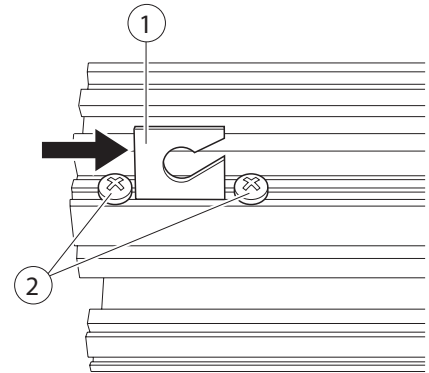
- ▶ Unplug the rechargeable battery cable from the control unit and secure it for transport.

## 7 Preparation for installation

During preparation for installation the drive unit is prepared for later installation. The current drive drawing is applicable for carrying out the installation work. All components must be identified and installed in accordance with the drive drawing.

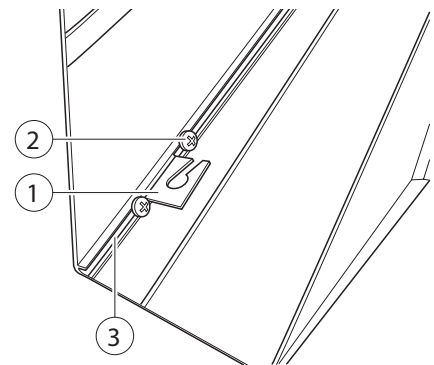
### 7.1 Mounting the cover suspension piece

- ▶ Insert the suspension pieces (1) for the cover catch cable into the front groove on the right approx. 1 cm from the edge of the track and on the left approx. 1 cm from the edge of the cap.
- ▶ Screw in using the enclosed fillister head tapping screws (2).

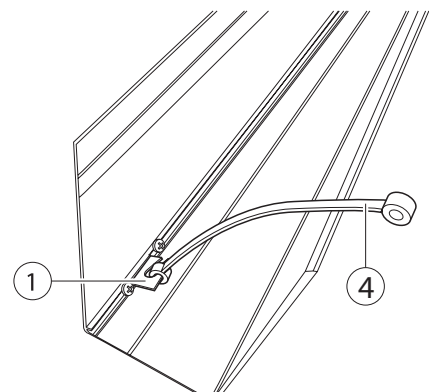


- 
- !** ▶ Make sure there is enough space for the earthing after installation of the suspension pieces (1) in the cover.
- 

- ▶ Push the suspension pieces (1) for the cover safety rope, right and left, approx. 5 cm from the edge of the cover on each side, into the groove (3) of the cover.
- ▶ Screw in using the enclosed fillister head tapping screws (2).

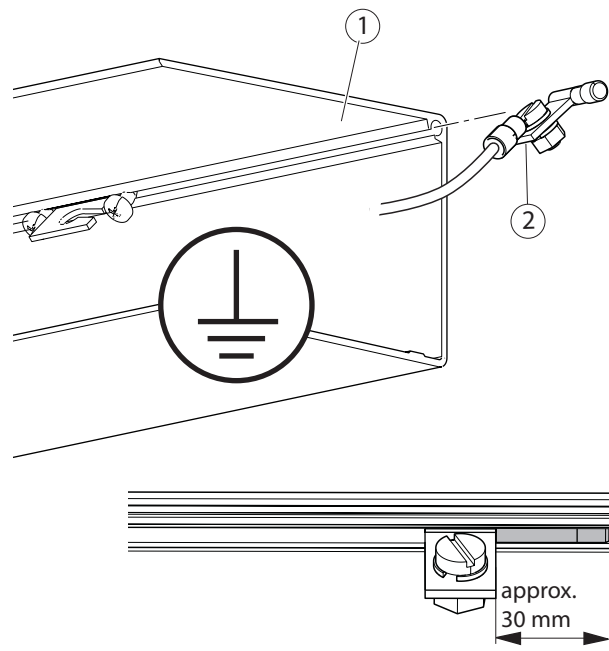


- ▶ Push the cords (rubber cables) (4) onto the mounted suspension pieces (1) of the cover.



## 7.2 Installing the cover earthing

- ▶ On the left end of the cover (1), knock in the mounting bolts for the cover earthing (2) flush into the groove on the cover (1).



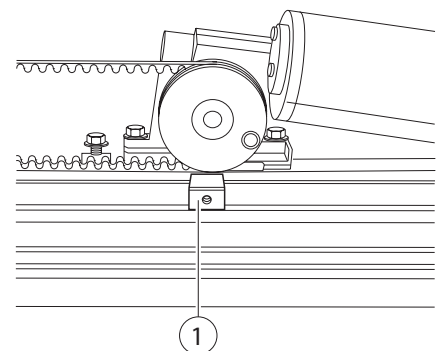
### 7.2.1 Installing support for cover

- ▶ Fix the supports (1) for the cover onto the track, in the front groove, using the setscrew M5 x 14.

Number:

- 4-leaf: 3 supports
- 2-leaf: 2 supports

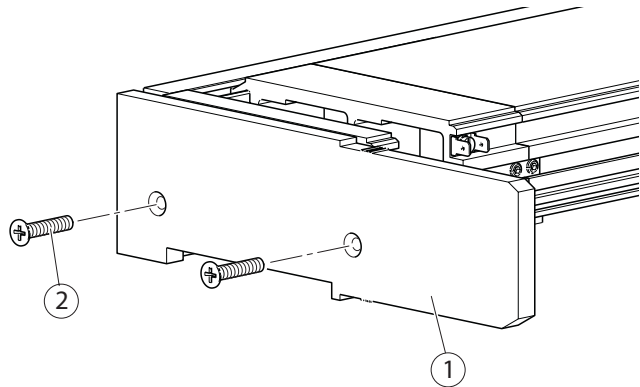
For the position, see the drive diagram.



## 7.3 Installing the side plates

- !** The side plate on the left is always mounted onto the cap.  
The side plate on the right is mounted directly onto the track.

- Fix side plate (1) onto the cap or the track using countersunk tapping screw M4.8 x 25 (2).







**Germany**  
GEZE GmbH  
Niederlassung Süd-West  
Tel. +49 (0) 7152 203 594  
E-Mail: leonberg.de@geze.com

GEZE GmbH  
Niederlassung Süd-Ost  
Tel. +49 (0) 7152 203 6440  
E-Mail: muenchen.de@geze.com

GEZE GmbH  
Niederlassung Ost  
Tel. +49 (0) 7152 203 6840  
E-Mail: berlin.de@geze.com

GEZE GmbH  
Niederlassung Mitte/Luxemburg  
Tel. +49 (0) 7152 203 6888  
E-Mail: frankfurt.de@geze.com

GEZE GmbH  
Niederlassung West  
Tel. +49 (0) 7152 203 6770  
E-Mail: duesseldorf.de@geze.com

GEZE GmbH  
Niederlassung Nord  
Tel. +49 (0) 7152 203 6600  
E-Mail: hamburg.de@geze.com

GEZE Service GmbH  
Tel. +49 (0) 1802 923392  
E-Mail: service-info.de@geze.com

**Austria**  
GEZE Austria  
E-Mail: austria.at@geze.com  
www.geze.at

**Baltic States –**  
Lithuania / Latvia / Estonia  
E-Mail: baltic-states@geze.com

**Benelux**  
GEZE Benelux B.V.  
E-Mail: benelux.nl@geze.com  
www.geze.be  
www.geze.nl

**Bulgaria**  
GEZE Bulgaria - Trade  
E-Mail: office-bulgaria@geze.com  
www.geze.bg

**China**  
GEZE Industries (Tianjin) Co., Ltd.  
E-Mail: chinasales@geze.com.cn  
www.geze.com.cn

GEZE Industries (Tianjin) Co., Ltd.  
Branch Office Shanghai  
E-Mail: chinasales@geze.com.cn  
www.geze.com.cn

GEZE Industries (Tianjin) Co., Ltd.  
Branch Office Guangzhou  
E-Mail: chinasales@geze.com.cn  
www.geze.com.cn

GEZE Industries (Tianjin) Co., Ltd.  
Branch Office Beijing  
E-Mail: chinasales@geze.com.cn  
www.geze.com.cn

**France**  
GEZE France S.A.R.L.  
E-Mail: france.fr@geze.com  
www.geze.fr

**Hungary**  
GEZE Hungary Kft.  
E-Mail: office-hungary@geze.com  
www.geze.hu

**Iberia**  
GEZE Iberia S.R.L.  
E-Mail: info.es@geze.com  
www.geze.es

**India**  
GEZE India Private Ltd.  
E-Mail: office-india@geze.com  
www.geze.in

**Italy**  
GEZE Italia S.r.l Unipersonale  
E-Mail: italia.it@geze.com  
www.geze.it

GEZE Engineering Roma S.r.l  
E-Mail: italia.it@geze.com  
www.geze.it

**Korea**  
GEZE Korea Ltd.  
E-Mail: info.kr@geze.com  
www.geze.com

**Poland**  
GEZE Polska Sp.z o.o.  
E-Mail: geze.pl@geze.com  
www.geze.pl

**Romania**  
GEZE Romania S.R.L.  
E-Mail: office-romania@geze.com  
www.geze.ro

**Russia**  
OOO GEZE RUS  
E-Mail: office-russia@geze.com  
www.geze.ru

**Scandinavia – Sweden**  
GEZE Scandinavia AB  
E-Mail: sverige.se@geze.com  
www.geze.se

**Scandinavia – Norway**  
GEZE Scandinavia AB avd. Norge  
E-Mail: norge.se@geze.com  
www.geze.no

**Scandinavia – Denmark**  
GEZE Danmark  
E-Mail: danmark.se@geze.com  
www.geze.dk

**Singapore**  
GEZE (Asia Pacific) Pte, Ltd.  
E-Mail: gezesea@geze.com.sg  
www.geze.com

**South Africa**  
GEZE South Africa (Pty) Ltd.  
E-Mail: info@gezesa.co.za  
www.geze.co.za

**Switzerland**  
GEZE Schweiz AG  
E-Mail: schweiz.ch@geze.com  
www.geze.ch

**Turkey**  
GEZE Kapı ve Pencere Sistemleri  
E-Mail: office-turkey@geze.com  
www.geze.com

**Ukraine**  
LLC GEZE Ukraine  
E-Mail: office-ukraine@geze.com  
www.geze.ua

**United Arab Emirates/GCC**  
GEZE Middle East  
E-Mail: gezeme@geze.com  
www.geze.ae

**United Kingdom**  
GEZE UK Ltd.  
E-Mail: info.uk@geze.com  
www.geze.com

**GEZE GmbH**  
Reinhold-Vöster-Straße 21–29  
71229 Leonberg  
Germany

Tel.: 0049 7152 203 0  
Fax.: 0049 7152 203 310  
www.geze.com

