

**GCprofile**  
Profile system  
Leaves and side panel

EN Pre-installation instructions

186938-01

## Contents

1	Introduction.....	3
1.1	Symbols and illustrations .....	3
1.2	Revisions and validity.....	3
1.3	Product liability .....	3
1.4	Reference documents.....	3
1.5	Abbreviations.....	3
2	Fundamental safety precautions .....	4
2.1	Intended use.....	4
2.2	Safety notices.....	4
2.3	Safety-conscious working .....	5
2.4	Environmentally conscious working.....	5
2.5	Connection to the structure.....	5
2.6	Safety instructions related to transportation and storage .....	5
2.7	Qualification .....	5
3	Preparation .....	6
3.1	Diagrams.....	6
3.2	Tools and aids.....	6
3.3	Torques.....	6
3.4	Consumables.....	6
3.5	Supplied by GEZE and completeness .....	6
4	Pre-mounting GCprofile Therm.....	7
4.1	Mounting the moving leaf .....	7
4.2	Mounting the side panel for lintel installation .....	16
4.3	Installing the side panel for girder section installation.....	18
5	Pre-mounting ISO door fitting.....	22
5.1	Pre-mounting the moving leaf.....	22
5.2	Mounting the side panel.....	26
6	Pre-mounting toughened safety glass clamping fitting .....	29
6.1	Mounting the moving leaf .....	29
6.2	Mounting the side panel.....	34
7	Final work .....	36
8	Cleaning .....	36


# 1 Introduction

## 1.1 Symbols and illustrations

### Warning notices




In these instructions, warnings are used to warn against material damage and injuries.

- ▶ Always read and observe these warning notices.
- ▶ Observe all measures marked with the warning symbol and warning word .

Warning symbol	Warning word	Meaning
	<b>WARNING</b>	Danger to persons. Non-compliance can result in death or serious injuries.

### Further symbols and illustrations

Important information and technical notes are highlighted to explain correct operation.

Symbol	Meaning
	means "important note". Information to prevent property damage, to understand or optimise the operation sequences.
	means "additional Information"
	Symbol for an action: This means you have to do something. ▶ If there are several actions to be taken, keep to the given order.

## 1.2 Revisions and validity

Version 01: valid for GCprofile Therm, ISO door fitting and toughened safety glass clamping fitting for the ECdrive T2 family from model year 2021

## 1.3 Product liability

In compliance with the liability of the manufacturer for his products as defined in the German "Product Liability Act", compliance with the information contained in this brochure (product information and intended use, misuse, product performance, product maintenance, obligations to provide information and instructions) must be ensured. Failure to comply releases the manufacturer from his statutory liability.

## 1.4 Reference documents

Type	Name
Processing documents	Profile overview
Order-related manufacturing parts list	
Machining drawings	
Installation instructions	Fanlight
Installation instructions	GCprofile Therm
Installation instructions	Sliding door system

The diagrams are subject to change without notice. Use only the most recent version.

## 1.5 Abbreviations

HSK	Main closing edge
NSK	Secondary closing edge
OKFF	Finished floor level
DH	Passage height

## 2 Fundamental safety precautions

### 2.1 Intended use



GEZE GmbH is referred to as GEZE below.

The sliding door system is used for the automatic opening and closing of a building passage.  
The sliding door system may only be used in a vertical installation position and in dry rooms within the permitted application area (see installation and service instructions).

The sliding door system is designed for pedestrian traffic in buildings.

The sliding door system is not designed for the following uses:

- for industrial use
- for areas of application which do not serve pedestrian traffic (such as garage doors)
- on mobile objects such as ships

The sliding door system may only be used:

- in the modes of operation provided for by GEZE
- with the components approved / released by GEZE
- with the software delivered by GEZE
- in the installation variants / types of installation documented by GEZE
- within the tested/approved area of application (climate / temperature / IP rating)
- in dry rooms

Any other use is considered non-intended and will lead to the exclusion of all liability and warranty claims to GEZE.

### 2.2 Safety notices

- Intervention and modifications which influence the safety technology and functionality of the sliding door system may only be carried out by GEZE.
- Problem-free and safe operation assumes proper transportation, proper set-up and installation, qualified operation and correct maintenance have taken place.
- The relevant accident prevention regulations and other generally recognised safety-related or health & safety rules must be kept.
- Only original accessories, original spare parts and accessories approved by GEZE guarantee problem-free function of the sliding door system
- The mandatory installation, maintenance and repair work must be performed by properly trained personnel authorised by GEZE.
- The country-specific laws and regulations are to be observed during safety-related tests.
- If unauthorised changes are made to the system, GEZE cannot be held liable in any way whatsoever for any resulting damage, and the statement of approval for use in escape and rescue routes is no longer valid.
- GEZE does not accept any warranty for combinations with third-party products.
- Only original GEZE parts may be used for repair and maintenance work.
- The connection to the mains voltage must be made by a professional electrician. Perform the power connection and protective earth connection test in accordance with VDE 0100 Part 600.
- Use an on-site 10-A overload cut-out as the line-side disconnecting device.
- Protect the display programme switch against unauthorised access.
- In compliance with Machinery Directive 2006/42/EC, a risk analysis must be performed and the door system identified in accordance with CE Marking Directive 93/68/EEC before the door system is commissioned.
- Observe the latest versions of directives, standards and country-specific regulations, in particular:
  - DIN 18650: "Building hardware – Powered automatic doors"
  - VDE 0100, Part 600: "Installation of low-voltage systems"
  - EN 16005: "Power operated pedestrian doorsets – Safety in use– Requirements and test methods"
  - EN 60335-1: "Household and similar electrical appliances - Safety Part-1: General requirements"
  - EN 60335-2-103: "Household and similar electrical appliances - Safety: Special requirements for drives for gates, doors and windows"

- 
- i** The product should be installed or incorporated in such a way that effortless access to the product is guaranteed during any repairs and/or maintenance, and that any removal costs do not stand out of proportion to the value of the product.
- 

## 2.3 Safety-conscious working

- Secure workplace against unauthorised entry.
- Watch the swivelling range of long system parts.
- Never carry out work with a high safety risk (e.g. installing the drive, cover or door leaf) while alone.
- Attach safety stickers to glass leaves.
- Danger of injury caused by unsecured crushing, impact, drawing-in or shearing spots.
- Danger of injury due to glass breakage.
- Danger of injury due to sharp edges in the drive.
- Danger of injury during installation through freely moving parts.

## 2.4 Environmentally conscious working

- When disposing of the profile system, separate the different materials and have them recycled.

## 2.5 Connection to the structure

Connection to the structure is to be carried out in accordance with the current version of the "Guide for planning and carrying out installation of windows and front doors in new and refurbished buildings".

## 2.6 Safety instructions related to transportation and storage

- Do not throw, do not drop.
- Avoid heavy blows.
- Storage temperatures under  $-30\text{ °C}$  and above  $+60\text{ °C}$  can result in damage to the device.
- Protect against humidity.
- Use special glass transport devices (e.g. A-frames) for transporting glass.
- Separate several panes on a frame or during storage using intermediate layers (e.g. cork pads, paper or plastic cords).
- Always store glass in a vertical position on level and load-bearing ground. Use suitable material as a support (e.g. wooden slats).
- In the case of insulated glass, make sure that it is placed flush across the entire element thickness on at least 2 supports.
- During storage and support, safety devices must not cause any damage to the glass or edge seal of insulated glass and must be attached flat on the pane surface.
- Dry, well ventilated, closed, weather-proof and UV-protected rooms are suitable as storage areas.
- Attach safety stickers to glass leaves.
- Danger of injury due to glass breakage. Always only use safety glass.

## 2.7 Qualification

Pre-mounting of the GEZE sliding door may only be carried out by companies which have been approved by a testing institute as an extended manufacturing facility.

### 3 Preparation

#### 3.1 Diagrams

Drawing no.	Type	Name
70723-9-0980	Installation drawing	Moving leaf
70723-9-0981	Installation drawing	Fixed panel under lintel
70723-9-0984	Installation drawing	Fixed panel under girder section
70723-1-0108	Installation drawing	NSK seal package, left, for angled floor guide
70723-1-0109	Installation drawing	NSK seal package, right, for angled floor guide
70723-1-0114	Installation drawing	NSK seal package, right
70723-1-0115	Installation drawing	NSK seal package, left
70715-9-9880	Leaf drawings	ISO moving leaf aluminium-NSK
70715-9-9881	Leaf drawings	ISO moving leaf rubber NSK
70715-9-9882	Leaf drawings	ISO side panel
70709-9-9852	Leaf drawings	ESG moving leaf EC T2
70709-9-9853	Leaf drawings	ESG side panel leaf EC T2

The diagrams are subject to change without notice. Use only the most recent version.

#### 3.2 Tools and aids

Tool	Size/number/use
Blade	
Screw clamps and plates	for levelling the profile edging
Trestles	number depending on fanlight to be installed
A-frames	
Tensioning strap	
Vacuum lifting pads	
Torx screwdriver	
Side-cutting pliers	
Manual cartridge gun	for sealing compound
Rubber/plastic hammer	
Metal drill	Ø 2 mm

#### 3.3 Torques

The torques are given with the respective installation step.

#### 3.4 Consumables

Consumable	Use/art/mat. no.
EPDM adhesive	for sealing glazing seal joints (mat. no. 180280)
Sealing compound, grey	for sealing (mat. no. 167318)
Glazing blocks 4x36x100 with groove	vapour pressure equalising for GCprofile Therm

#### 3.5 Supplied by GEZE and completeness

- ▶ Open packaging units and check for completeness on the basis of the delivery note.

## 4 Pre-mounting GCprofile Therm

### 4.1 Mounting the moving leaf

#### 4.1.1 Prepare the pane

**WARNING!****Risk of cut injuries**

**The blade for processing the pane is very sharp.**

▶ Handle the blade with due care.

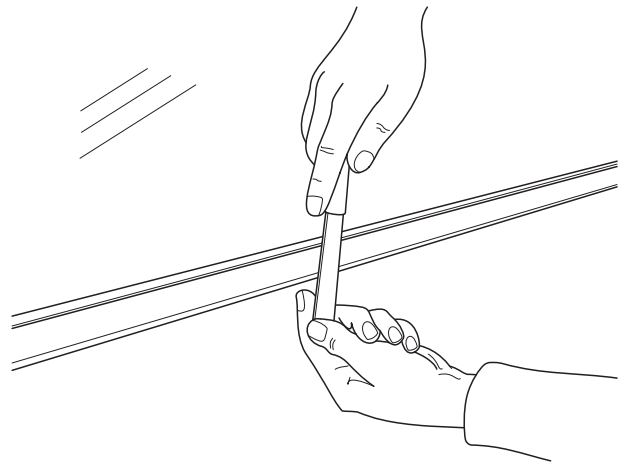
▶ Place the pane carefully onto the 2 trestles.



▶ Make sure the pane is placed on the trestles with its outer side facing upwards.

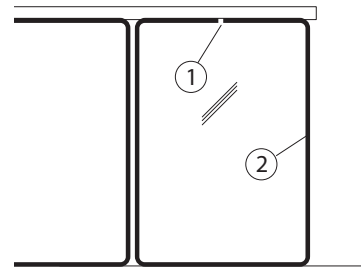
▶ Heed the sticker (top/bottom) on the pane.

▶ Scrape superfluous sealing agent off the glass edge using a sharp blade.

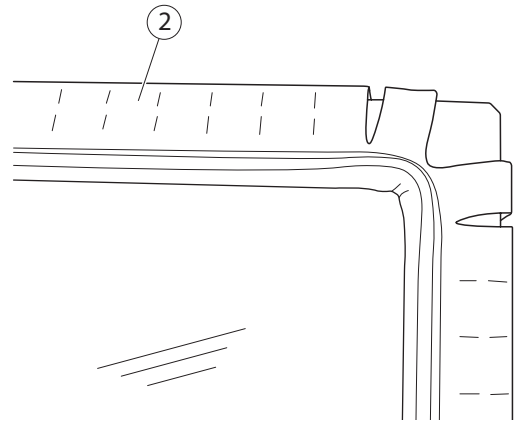


## 4.1.2 Position the glazing rubber

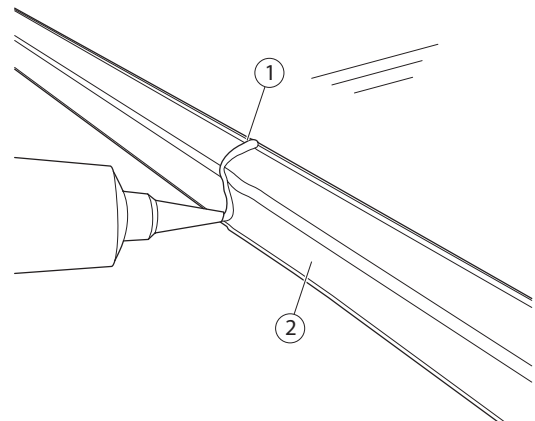
- ! ▶ When positioning the glazing rubber (2) make sure that the glazing rubber is not pulled and stretched.
  - The butt edge (1) must be without joint at the top centre of the glass later.
  - The all-round glazing rubber may only have one joint.



- ▶ Place the glazing rubber (2) around the edge of the glass.
- ▶ Tear the glazing rubber (2) carefully at the corners along the perforation.
- ▶ Slit each 90° corner at 3 points.

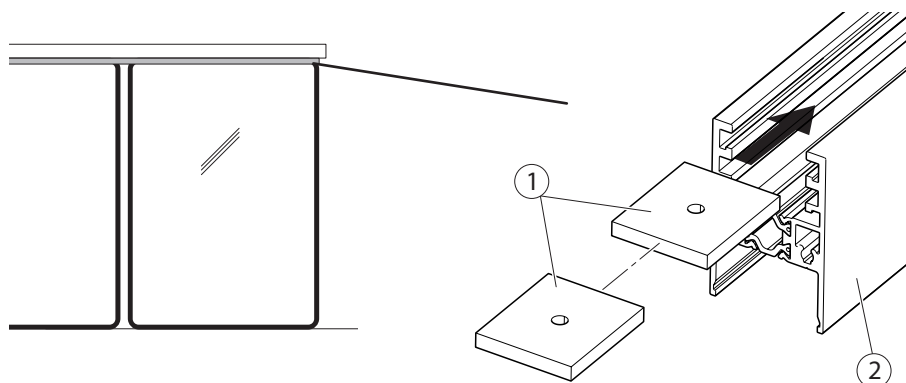


- ▶ Glue the glazing rubber (2) at the joint (1) using EPDM adhesive (see Chapter 3.4).
- ▶ Allow the EPDM adhesive to bond for 5–10 minutes.
- ▶ Then press the two adhesive surfaces together.



## 4.1.3 Insert the bearing plates

- ▶ Slide 4 bearing plates (1) per leaf into the upper profile (2) for the roller carriage.



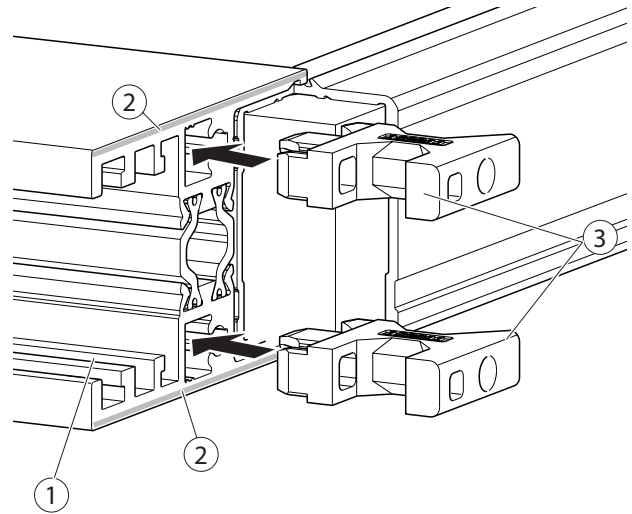


## 4.1.4 Place the profiles on the pane

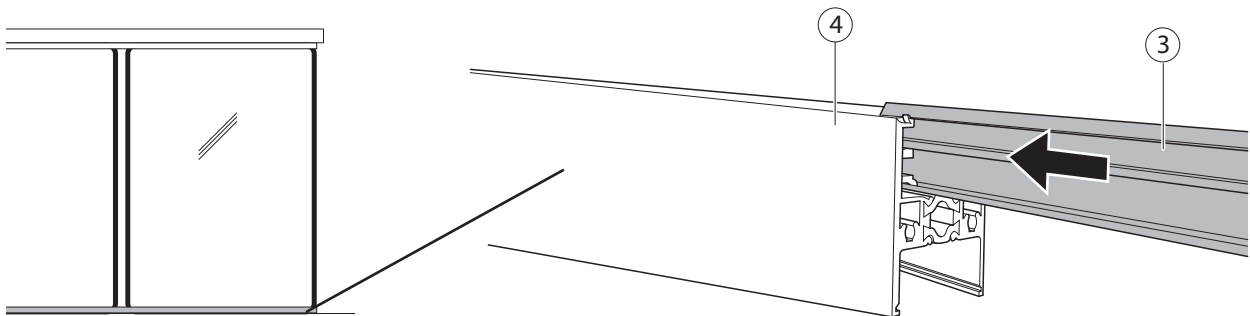
- ! ▶ Check whether the bearing plates have been slid into the upper profile, see Chapter 4.1.3.

- Blocks 4 mm × 36 mm with vapour pressure equalising/rebate base venting

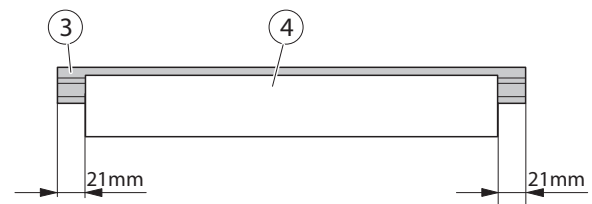
- ▶ Glue the glazing blocks into the bottom profile and both vertical profiles.
- ▶ If necessary, apply sealing compound (2) to the bottom and top profile to increase airtightness.
- ▶ Set the bottom and top profile (1) in place. Heed the standing edge.
- ▶ Insert 2 corner connectors (3) per corner into the lower and upper profiles, knock into place carefully using a rubber/plastic hammer if necessary.



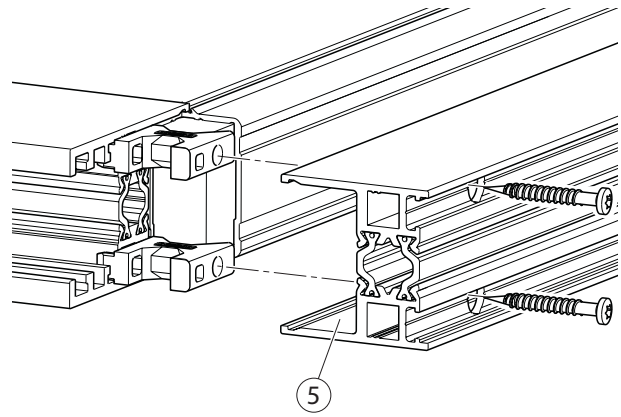
- ▶ Slide 2 plug-in profiles (3) into the bottom aluminium profile (4).



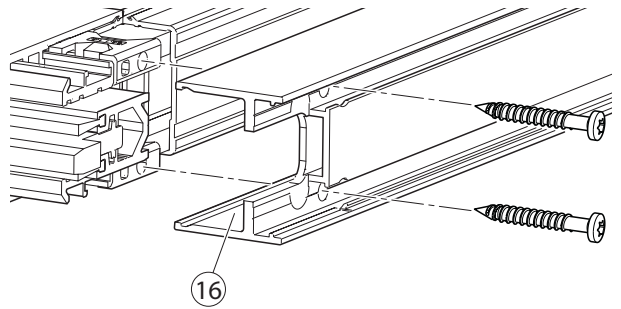
- ▶ Slide the plug-in profiles (3) in in such a way that 21 mm project on both sides.



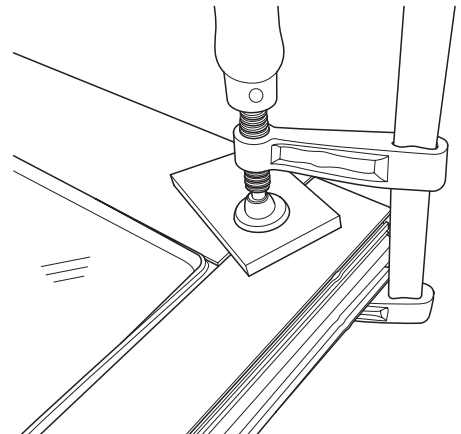
- ▶ Mount the side profile (5) of the secondary closing edge.



- ▶ Mount the side profile (16) of the main closing edge.

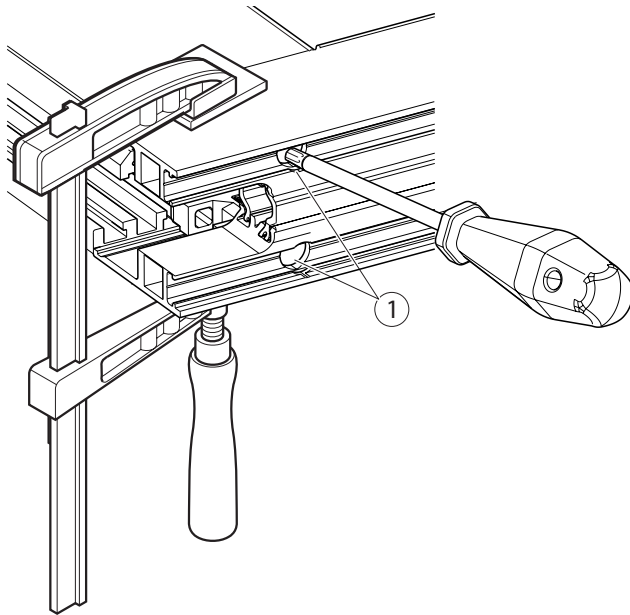


- ▶ Align the connections at the joints and secure at all 4 edges using screw clamps.



#### 4.1.5 Screw the profiles tight

**i** The diagram shows mounting on the secondary closing edge.



- ▶ Screw the side profiles tight at 4 corners using 2 fixing screws (1) each (tightening torque 5.0 Nm).

#### 4.1.6 Check the seals



##### **WARNING!**

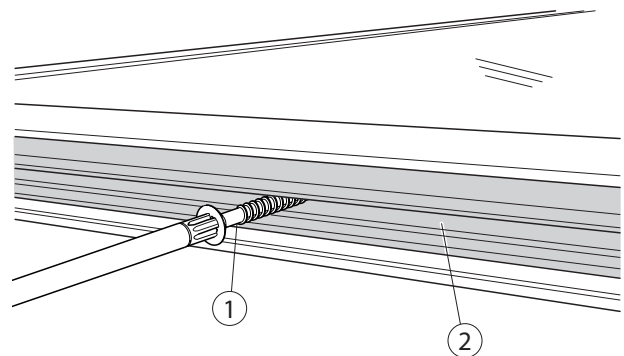
**The leaf can weigh up to 140 kg. Body parts can become crushed during turning.**

- ▶ Ensure enough people are available for transporting the leaf.
- ▶ Wear safety gloves and safety footwear.

- ▶ Pull the frame profile open with tensioning strap. The frame profiles must be straight.
- ▶ Turn the leaf over on the trestles.
- ▶ Check the seals on the underside.

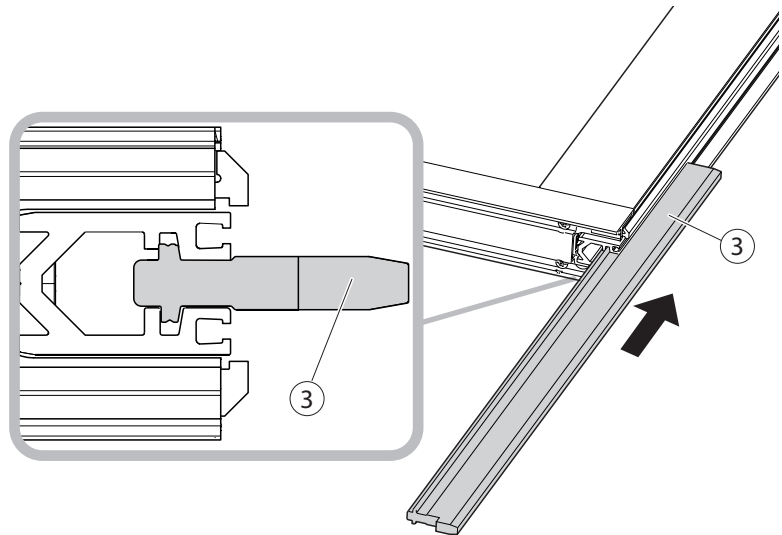
#### 4.1.7 Install the floor guide strip

- ▶ Insert the floor guide strip (2) flush.
- ▶ Drill holes using a 2 mm drill bit.
- ▶ Screw the floor guide strip (2) tight using the screws (1) (tightening torque 0.8 Nm).
- ▶ Screw the floor guide strip (2) in accordance with the leaf drawing.

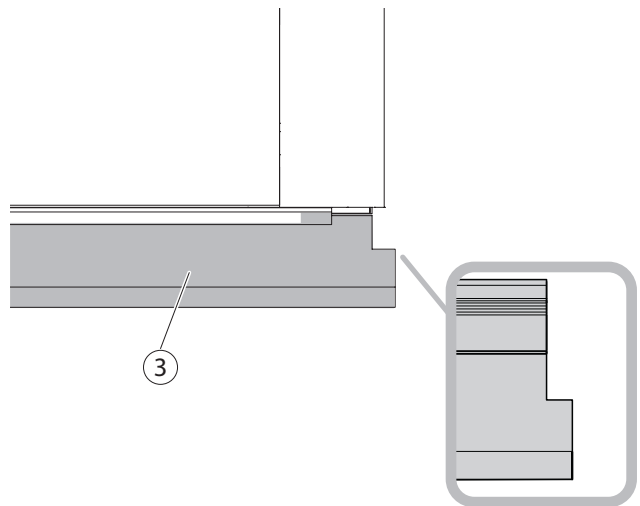


With optional continuous floor guide:

- ▶ Push in the slide rail (3). The notch is facing towards the main closing edge.



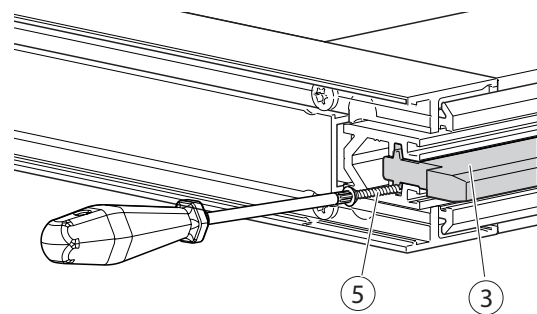
- ▶ Align the slide rail (3) to the floor guide strip along the main closing edge.



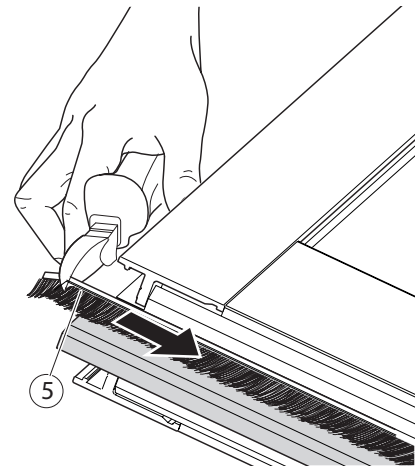
- ▶ Use the screw (5) to fix the slide rail (3) to the main and secondary closing edge.



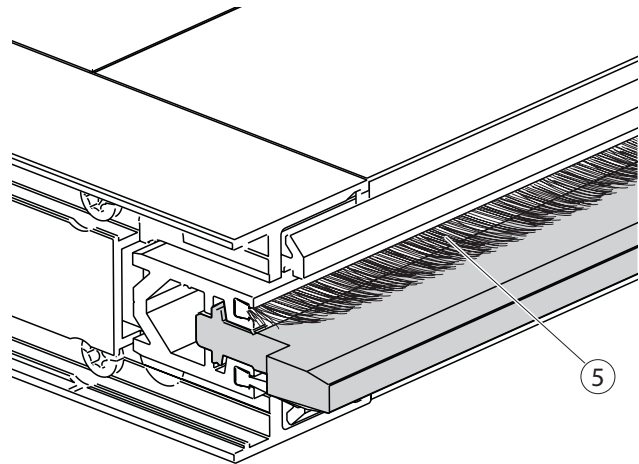
- ▶ Tighten the screw (5) until the screw head is flush with the slide rail.



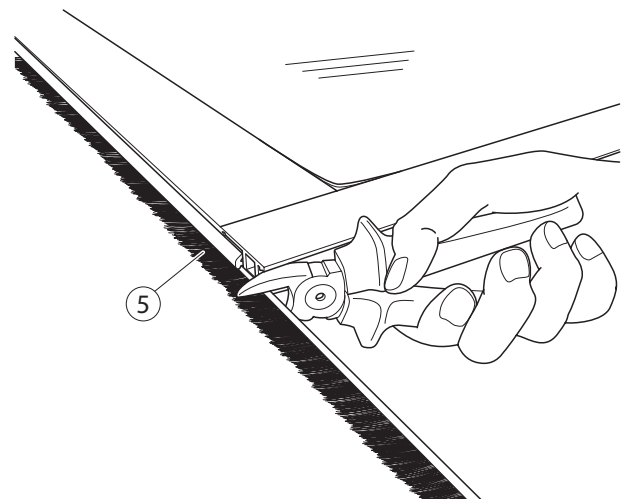
- ▶ Slide the brush strip (5) into the floor guide strip.
- ▶ To fix the end of the brush strip (5), carefully bend the end slightly using pliers.



- ▶ Slide the brush strip (5) completely into the floor guide strip.

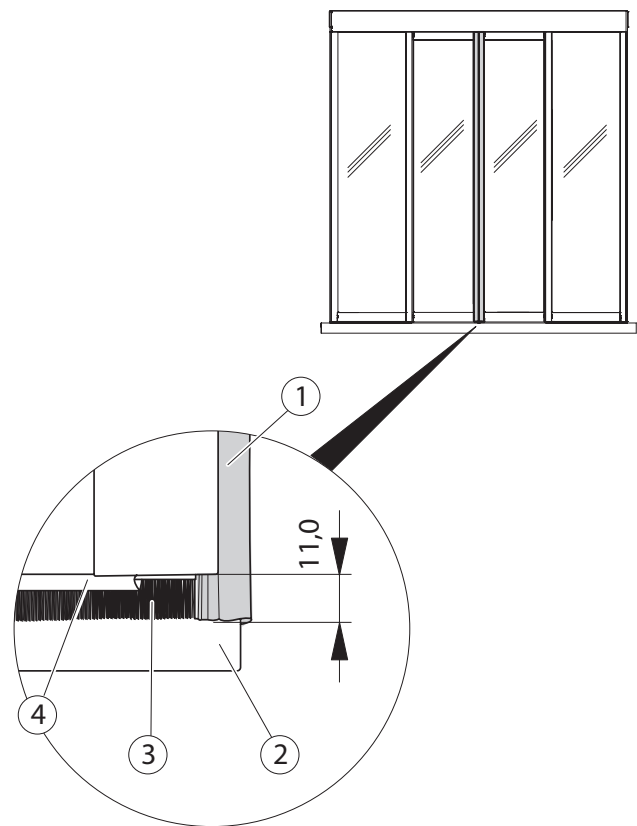


- ▶ Shorten the other end of the brush strip (5).
- ▶ Install the second brush strip in the floor guide strip in the same way.



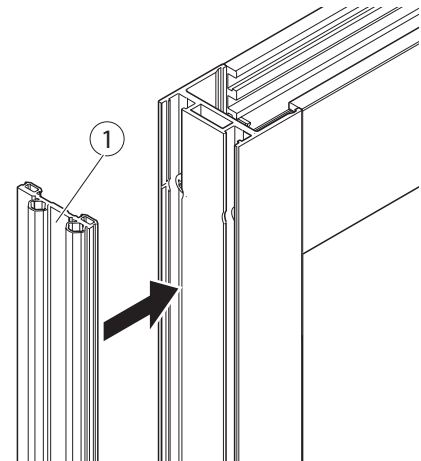
## 4.1.8 Install the HSK seal

- ▶ Place the HSK seal (1) flush at the bottom on the slide rail.
- ▶ Insert the HSK seal along the main closing edge.



- 1 HSK seal
- 2 Slide rail
- 3 Brush strip
- 4 Plug-in profile

- ▶ Cut the HSK seal (1) off at the top flush to the aluminium HSK profile.



## 4.1.9 Completion of work and transport

**WARNING!**

**The leaf can weigh up to 140 kg. Body parts can become crushed during transport.**

- ▶ Ensure enough people are available for transporting the leaf.
- ▶ Wear safety gloves and safety footwear.

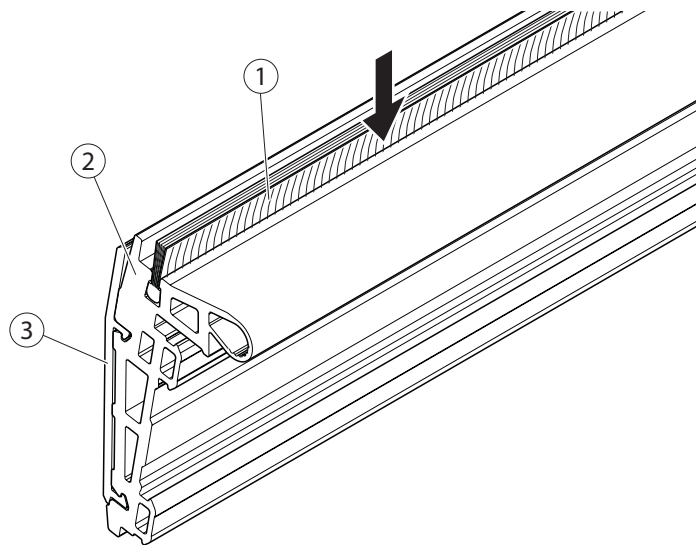
- ▶ Set the finished leaf down in the A-frame without NSK package mounted. The HSK seal is at the top.
- ▶ Assemble a second leaf in the same way if appropriate.
- ▶ Pack and transport the NSK package separately. Do not bend.
- ▶ Watch out for the standing edge of the ISO glass.

## 4.1.10 Pre-mount the NSK package on the moving leaf



- The NSK package is made up of the aluminium cover profile (3), the brush strip (1) and the NSK seal (2).

- ▶ Shorten the NSK seal (2) in accordance with the installation drawing if necessary.
- ▶ Shorten the brush seal (1) in accordance with the installation drawing.
- ▶ Press the brush seal (1) into the NSK seal (2).
- ▶ Insert the aluminium cover profile (3) into the NSK seal (2).

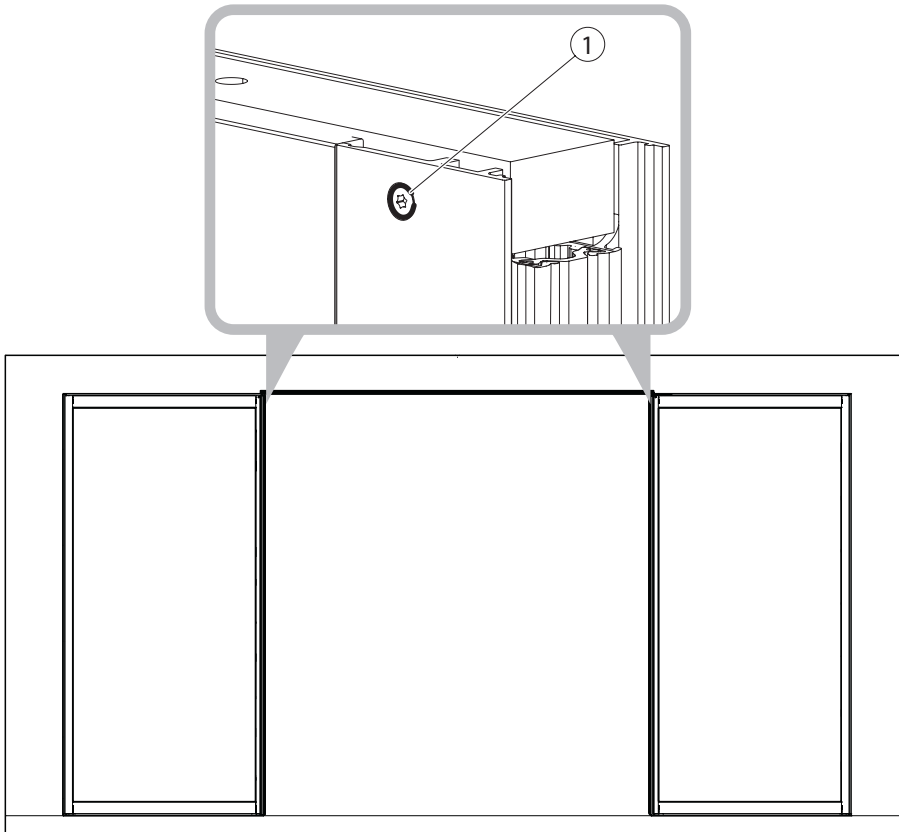


## 4.2 Mounting the side panel for lintel installation

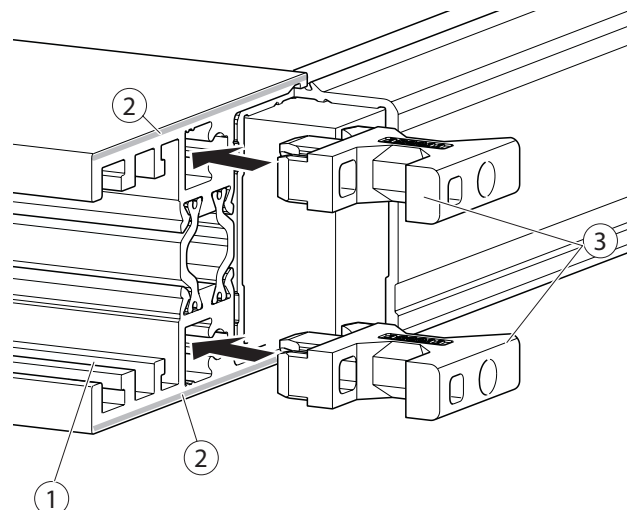
- ▶ Prepare the pane, see Chapter 4.1.1.
- ▶ Position the glazing rubber, see Chapter 4.1.2.

### 4.2.1 Place the profiles on the pane

- ! ▶ During installation of the side panel, heed the correct installation position:
- ▶ The fixing screw for the side panel (1) is on the inside at the top.

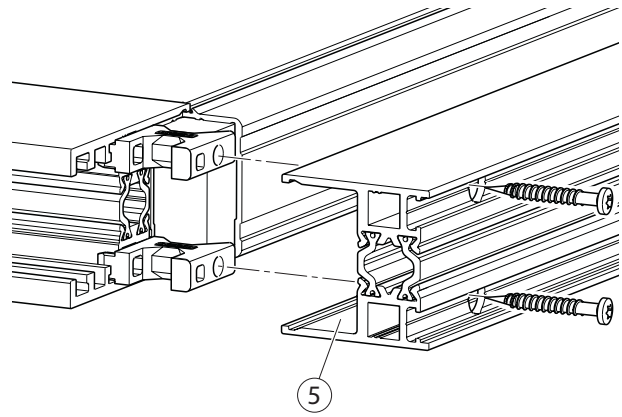


- ▶ Glue the glazing blocks into the bottom profile and both vertical profiles.
- ▶ If necessary, apply sealing compound (2) to the bottom and top profile to increase airtightness.
- ▶ Set the bottom and top profile (1) in place. Heed the standing edge.
- ▶ Insert 2 corner connectors (3) per corner into the lower and upper profile, knock into place carefully using a rubber/plastic hammer if necessary.

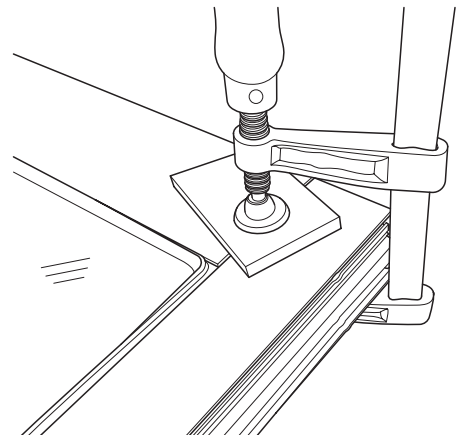




- ▶ Install the side profiles (5).



- ▶ Align the connections at the joints and secure at all 4 edges using screw clamps.



- ▶ Screw profiles tight, see Chapter 4.1.5.
- ▶ Check seals, see Chapter 4.1.6.

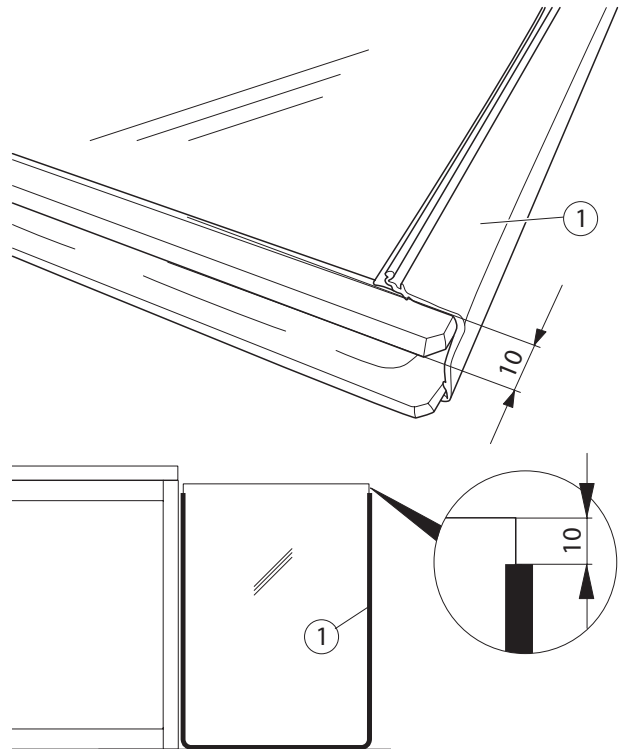
## 4.3 Installing the side panel for girder section installation

- ▶ Prepare the pane, see Chapter 4.1.1.

### 4.3.1 Position the glazing rubber

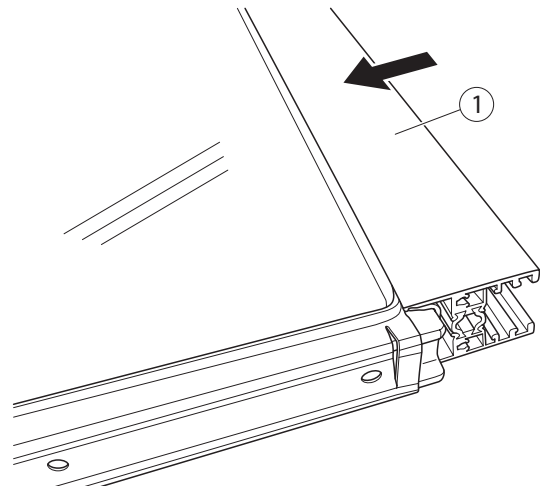
**!** With the side panel, the glazing rubber does not go all the way around the glass. The glazing rubber ends at the top on both sides 10 mm below the edge of the glass.

- ▶ Position the glazing rubber (1), see Chapter 4.1.2.

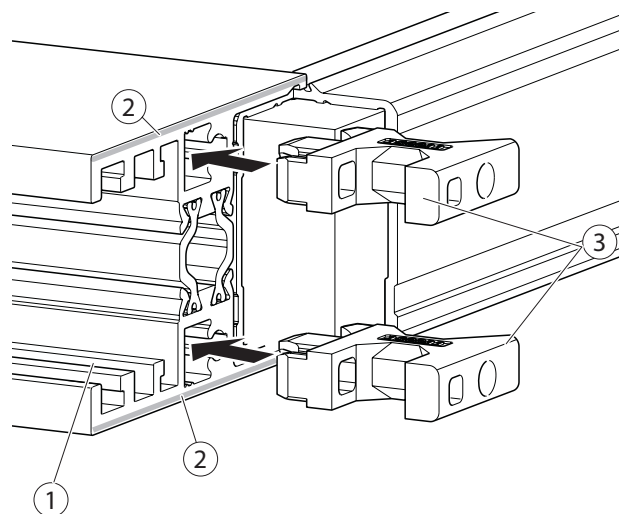


### 4.3.2 Place the profiles on the pane

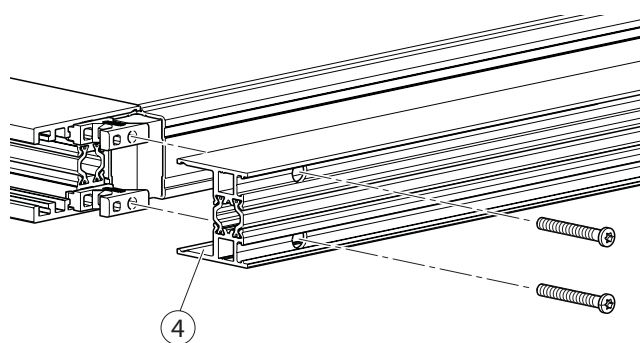
- Glazing blocks 4 mm × 36 mm for vapour pressure equalising or rebate base venting
- ▶ Glue the glazing blocks into the bottom profile and both vertical profiles.
- ▶ Place the bottom profile (1) on the pane.



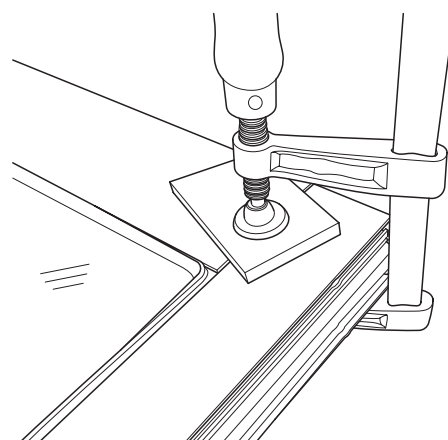
- ▶ Insert 2 corner connectors (3) per corner into the lower profile, knock into place carefully using a rubber/plastic hammer if necessary.
- ▶ If necessary, apply sealing compound (2) to increase airtightness.



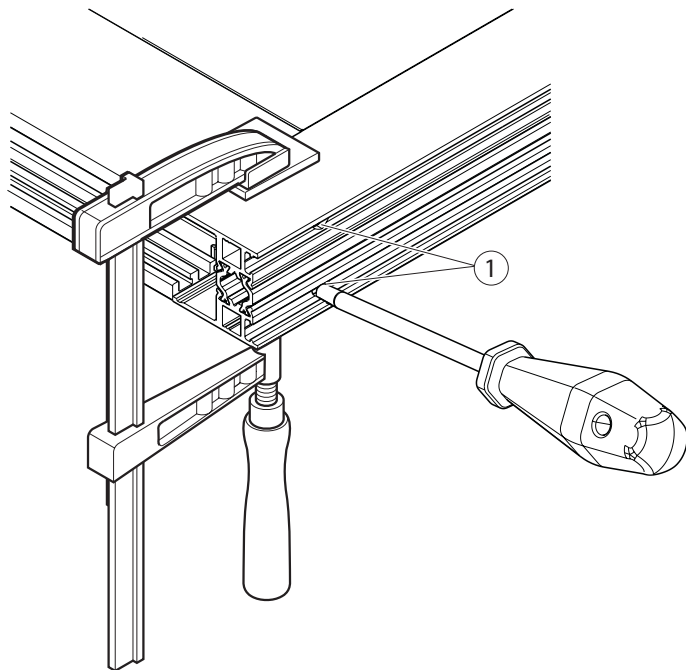
- ▶ Install the side profiles (4).



- ▶ Align the connections at the joints and secure at all 4 edges using screw clamps.



## 4.3.3 Screw the profiles tight



- ▶ Screw the side profiles tight at 4 corners using 2 fixing screws (1) each (tightening torque 5.0 Nm).

## 4.3.4 Check the seals

**WARNING!**

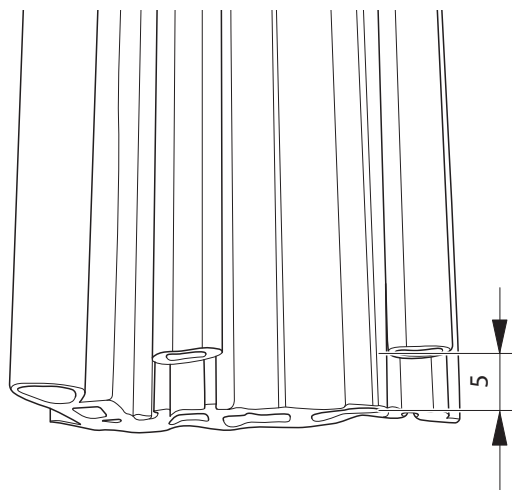
**The leaf can weigh up to 140 kg. Body parts can become crushed during turning.**

- ▶ Ensure enough people are available for transporting the leaf.
- ▶ Wear safety gloves and safety footwear.

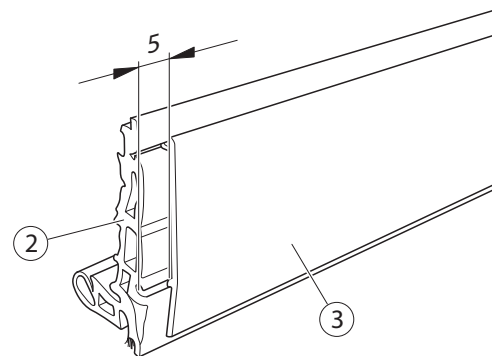
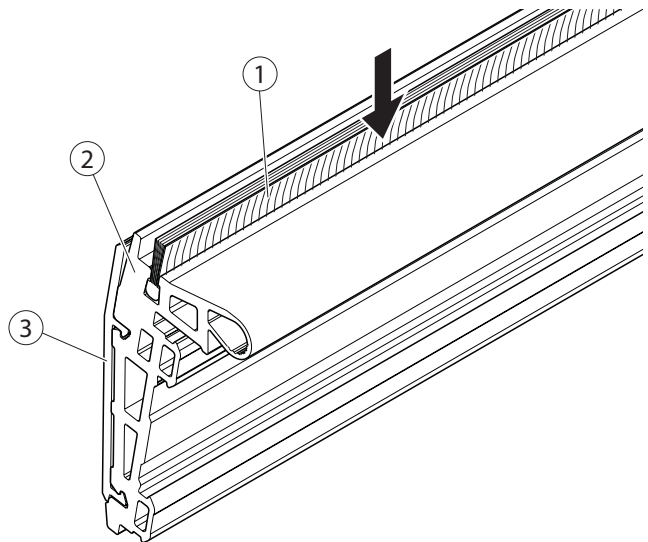
- ▶ Turn the leaf over on the trestles.
- ▶ Check the seals on the underside.

## 4.3.5 Prepare the seal package for the side panel

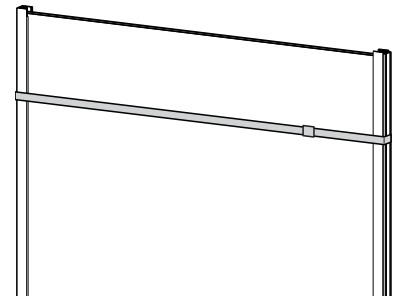
- ▶ Cut a 5 mm recess at the bottom of the seals.



- ▶ Shorten the NSK seal (2) in accordance with the installation drawing if necessary.
- ▶ Shorten the brush seal (1) in accordance with the installation drawing.
- ▶ Press the brush seal (1) into the NSK seal (2).
- ▶ Position the aluminium cover profile (3) in such a way that it is 5 mm shorter than the seal (2) at the bottom and flush with the seal at the top.
- ▶ Insert the aluminium cover profile (3) into the NSK seal (2).



- ▶ Secure the top of the leaf using stretch film or plastic strap.



#### 4.3.6 Completion of work and transport



#### **WARNING!**

**The side panel is very heavy. Body parts can become crushed during transport.**

- ▶ At least 4 people should be involved in the transport of the side panel.
  - ▶ Wear safety gloves and safety footwear.
- 
- ▶ Turn the side panel over on the trestles.
  - ▶ Watch out for the standing edge of the ISO glass.
  - ▶ Check the seals on the underside.
  - ▶ Set the finished side panel down without NSK package mounted.
  - ▶ Pack and transport the NSK package separately. Do not bend.

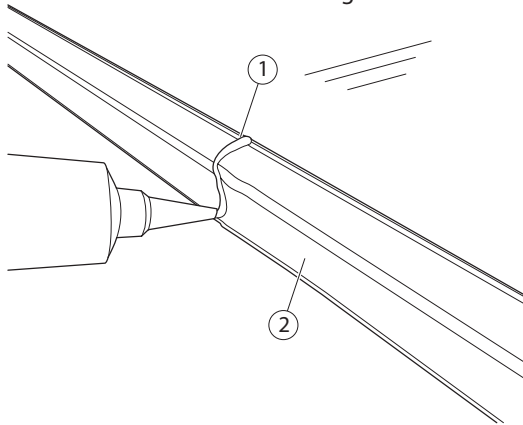
## 5 Pre-mounting ISO door fitting

### 5.1 Pre-mounting the moving leaf

- ▶ Prepare the pane, see Chapter 4.1.1.

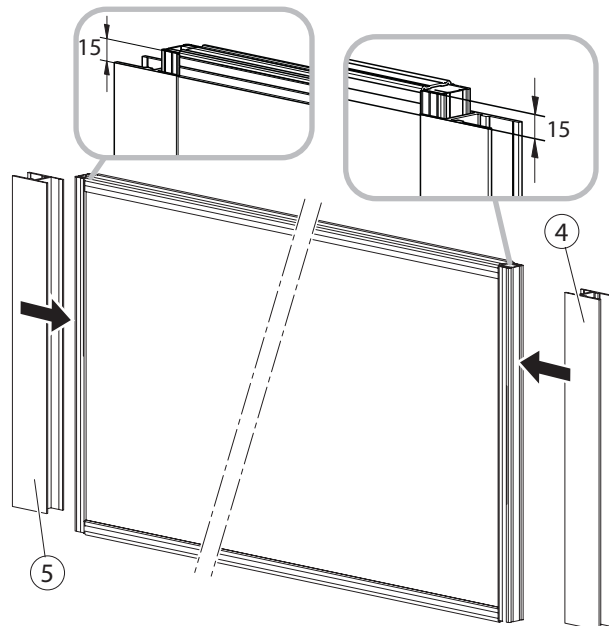
#### 5.1.1 Position the glazing rubber

- ▶ Slip the glazing rubber (2) onto the glazing.
- ▶ Glue the glazing rubber (2) at the joint (1) using EPDM adhesive (see Chapter 3.4).
- ▶ Allow the EPDM adhesive to bond for 5–10 minutes.
- ▶ Then press the two adhesive surfaces together.



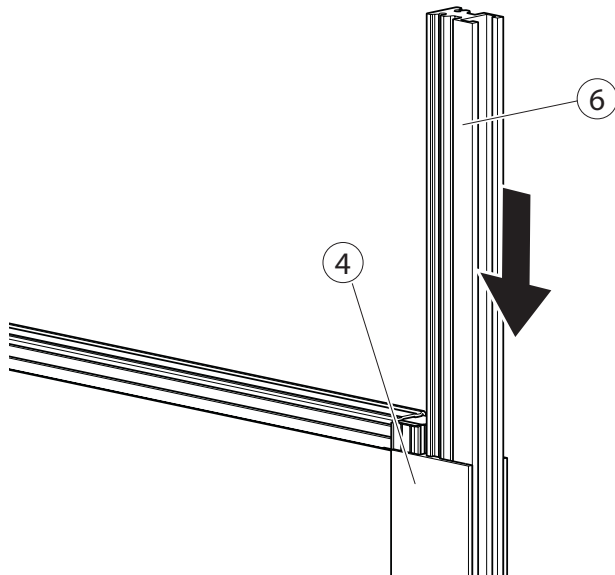
#### 5.1.2 Place the profiles on the pane

- ▶ Slip the top and bottom door rail (4) and (5) onto the centre of the glazing rubbers.

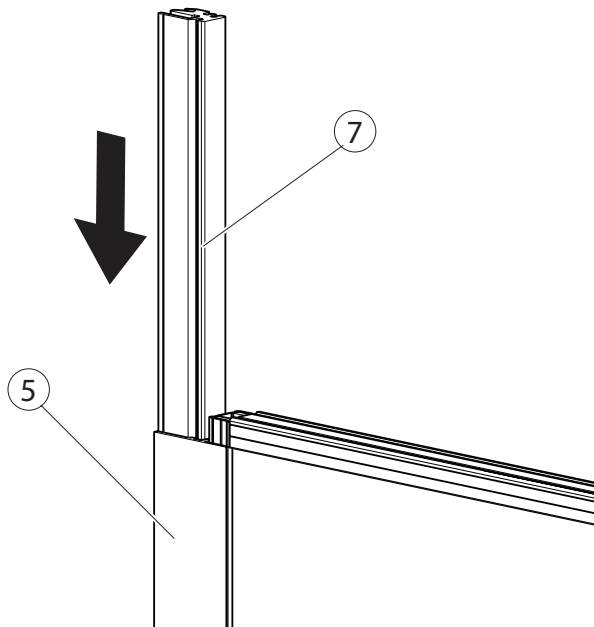


Glass projection at both sides: 15 mm

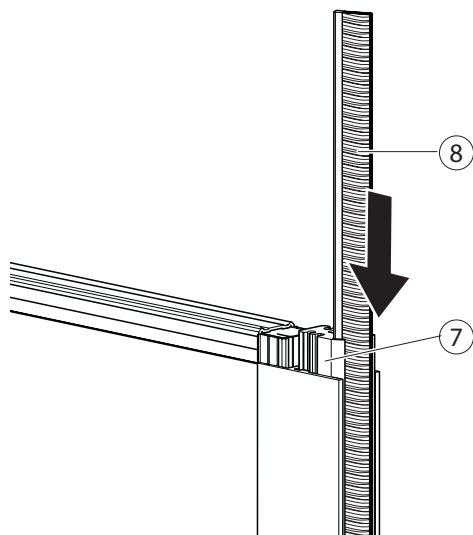
- ▶ Slide the suspension profile (6) into the top door rail (4).
- ▶ Keep the profile projection on the right and left.



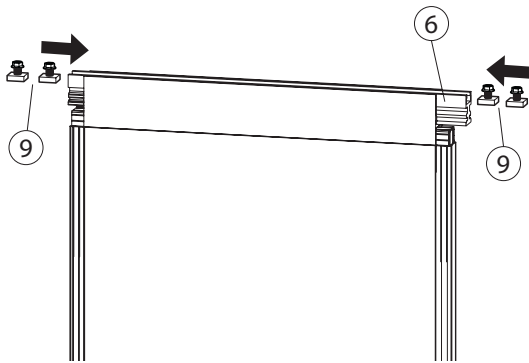
- ▶ Slide the guide rail (7) into the bottom door rail (5).
- ▶ Keep the profile projection on the right and left.



- ▶ Slide the floor brush seal (8) into the guide rail (7).



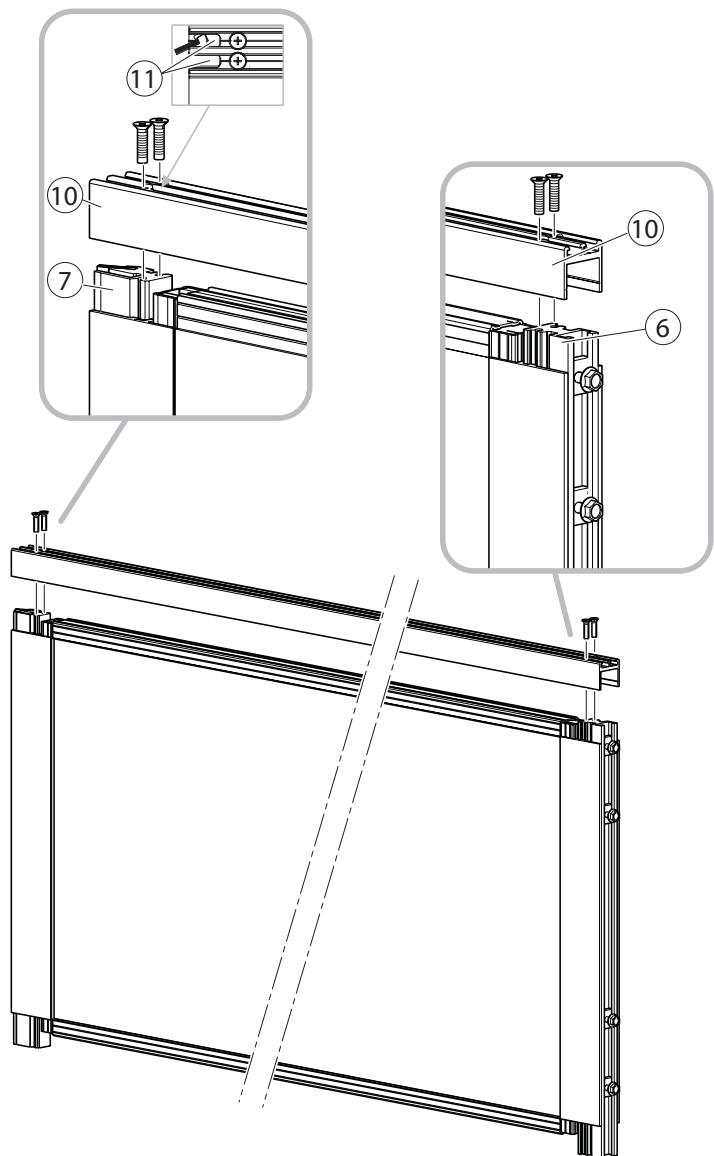
- ▶ Push the mounted suspension bolts and nuts (9) into the suspension profile (6).



### 5.1.3 Screw the profiles tight

- ▶ Fasten the sealing strip (10) using 2 self-tapping screws each on the suspension profile (6) and on the guide rail (7).

- ⚠ The recess (11) of the floor guide must be near the guide rail.
- In the case of moving leaf with aluminium secondary closing edge, heed the position of the profiles for the left and right leaf.

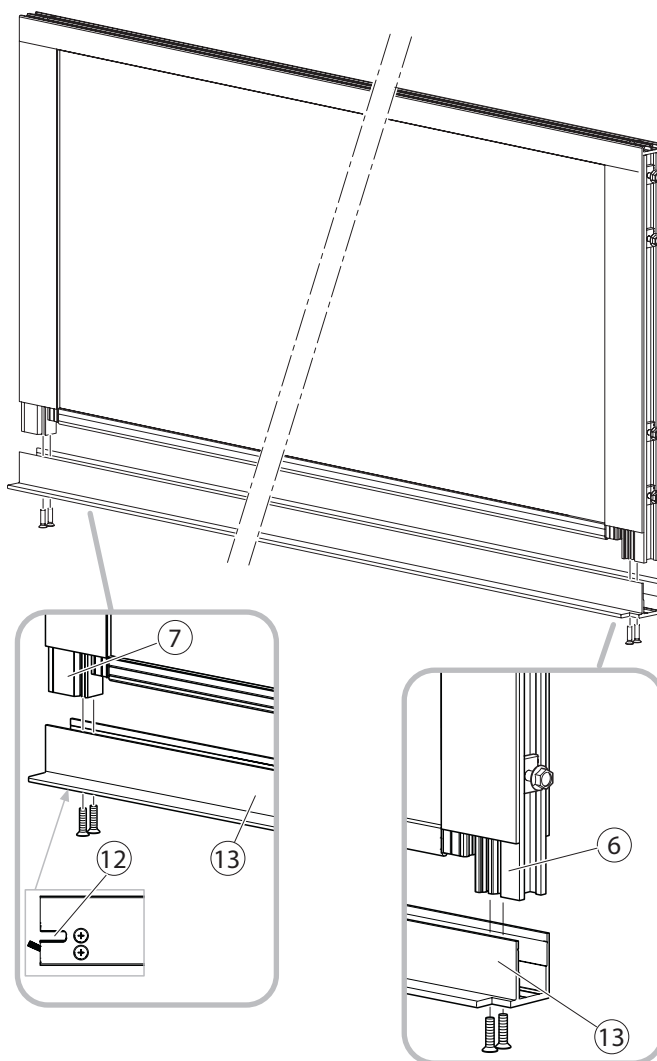




- ▶ Fasten the side strip (13) using 2 self-tapping screws each on the suspension profile (6) and on the guide rail (7).

**!** The recess (12) of the floor guide must be near the guide rail (7).

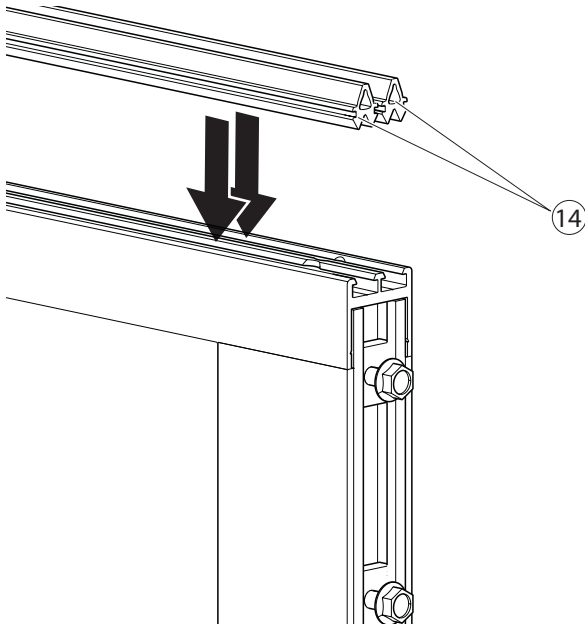
**i** The illustrations show installation of the profile for aluminium secondary closing edge. Installation of the profile for plastic secondary closing edge is carried out in the same way.



### 5.1.4 Mount the closing edges

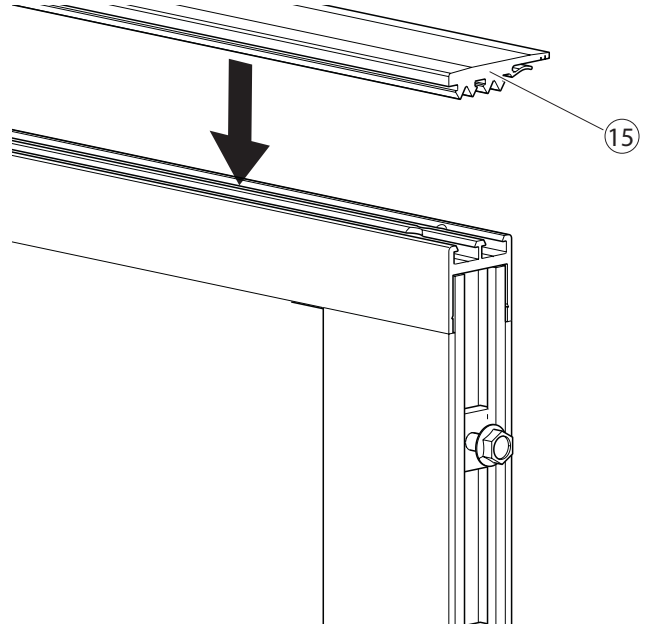
#### For aluminium secondary closing edge

- ▶ Press the door sealing profile (14) into the side strip and cut it off.



#### For plastic secondary closing edge

- ▶ Press the door sealing profile (14) into the side strip and cut it off.
- ▶ Press the door sealing profile (15) into the side strip and cut it off.
- ▶ Note right or left alignment of the door leaf.

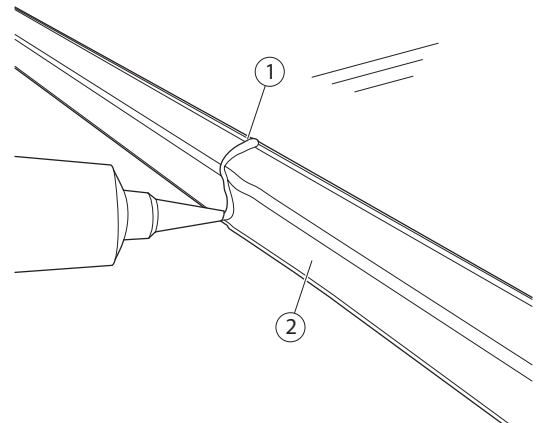


## 5.2 Mounting the side panel

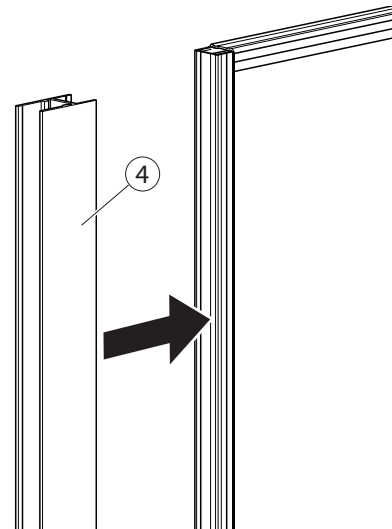
- ▶ Prepare the pane, see Chapter 4.1.1.

### 5.2.1 Position the glazing rubber

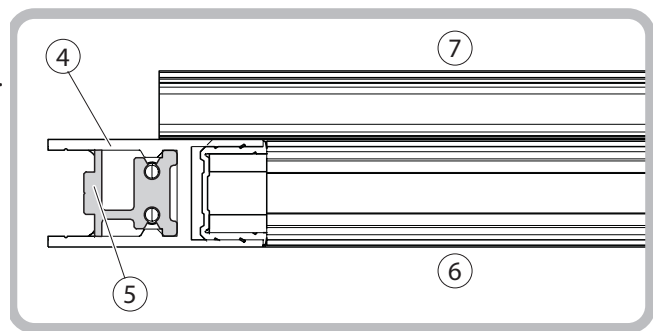
- ▶ Slip the glazing rubber (2) onto the glazing.
- ▶ Glue the glazing rubber (2) at the joint (1) using EPDM adhesive (see Chapter 3.4).
- ▶ Allow the EPDM adhesive to bond for 5–10 minutes.
- ▶ Then press the two adhesive surfaces together.



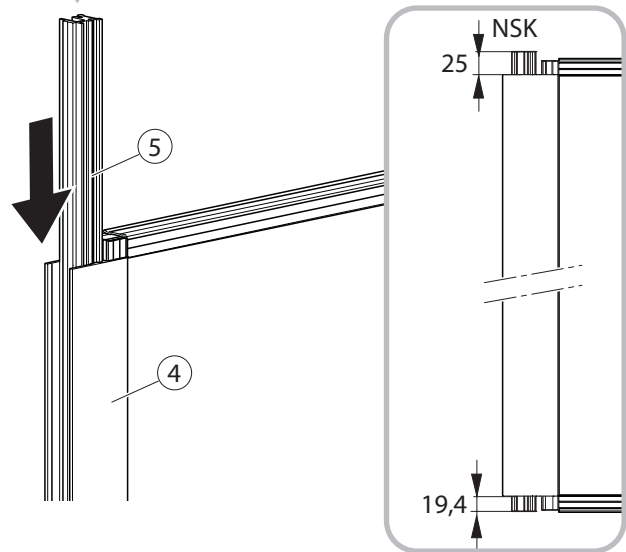
- ▶ Slip the bottom side panel rail (4) onto the centre of the glazing rubber.



- ▶ Slide the mounting profile (5) into the bottom side panel rail (4).
- ▶ Keep the profile projection on the right and left.

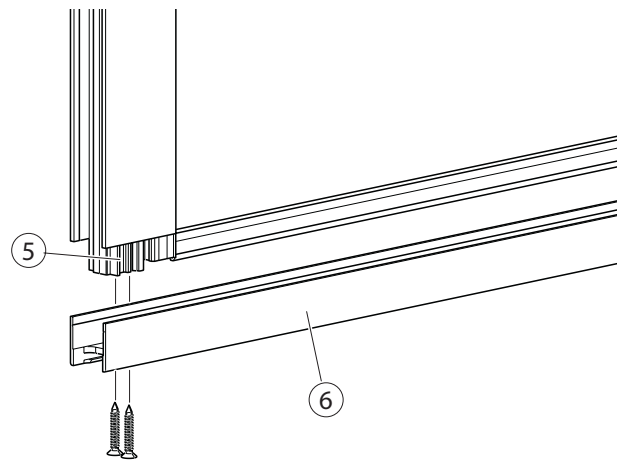


- 4 Side panel rail
- 5 Fixing profile
- 6 Inside
- 7 Outside

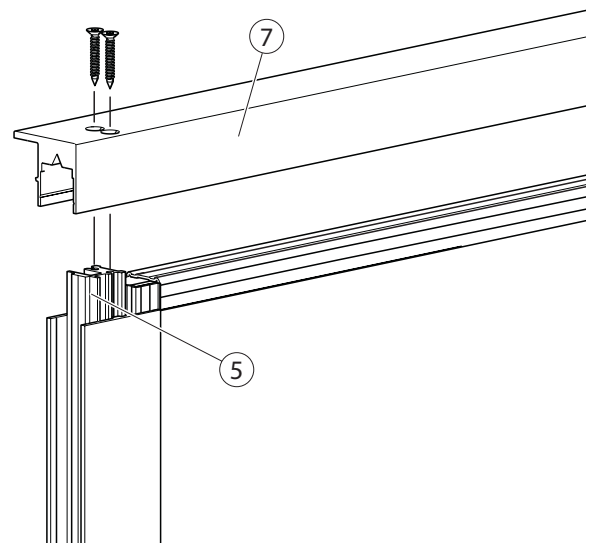


### 5.2.2 Screw the profiles tight

- ▶ Screw the side strip (6) to the fixing profile (5) using 2 self-tapping screws.

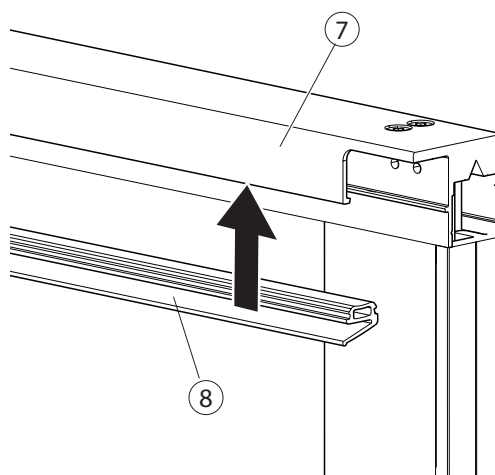


- ▶ Screw the NSK sealing profile (7) to the fixing profile (5) using 2 self-tapping screws.



### 5.2.3 Mount the rubber seal

- ▶ Press the rubber seal (8) into the NSK sealing profile (7) and cut it off.



- Where photoelectric barriers are used:
  - ▶ Install the photoelectric barriers.
  - ▶ Route the cables for the photoelectric barriers upwards through the space.
- Further installation steps can be found in the installation instructions for the sliding door system.

## 6 Pre-mounting toughened safety glass clamping fitting

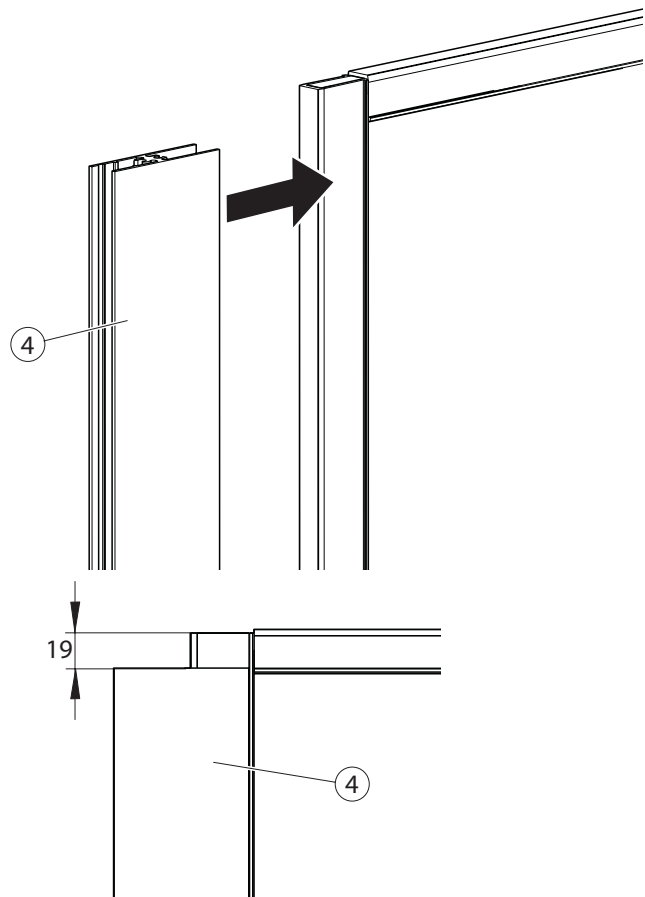
### 6.1 Mounting the moving leaf

- ▶ Slip the glazing rubber onto the glazing.

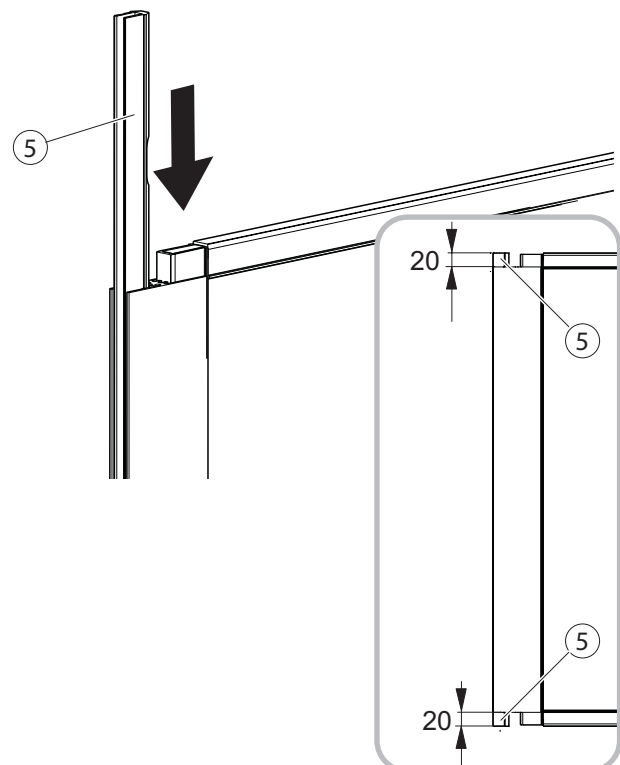
#### 6.1.1 Place the profiles on the pane

- ▶ Slip the bottom door rail (4) onto the centre of the glazing rubber.

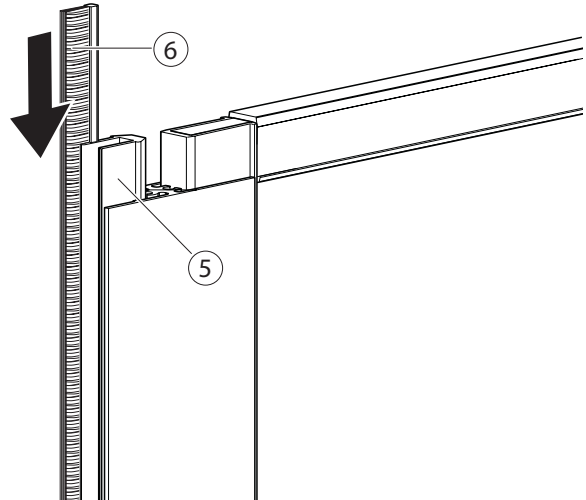
Glass projection at both sides: 19 mm



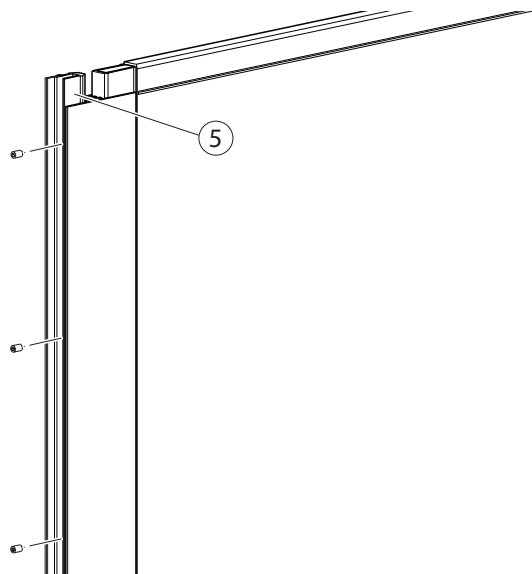
- ▶ Slide the guide rail (5) into the bottom door rail (4).
- ▶ Keep the profile projection on the right and left.



- ▶ Slide the floor brush seal (6) into the guide rail (5).

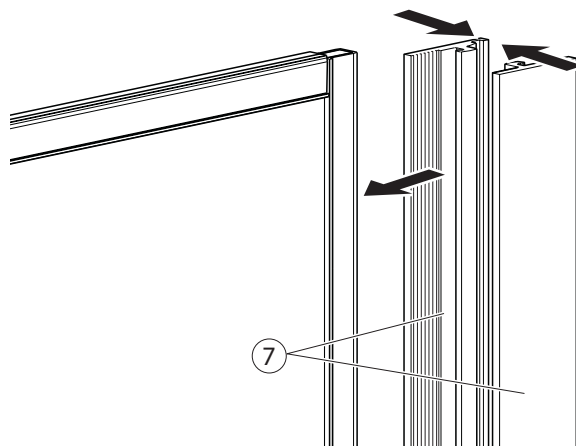


- ▶ Screw the setscrews into the guide rail (5) and tighten them.

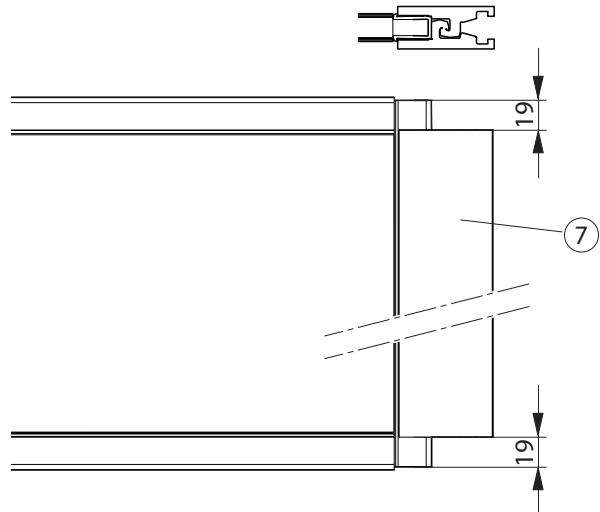


### 6.1.2 Mount the clamping rail

- ▶ Hook the clamping rail (7) in the centre of the glazing rubber and position this.



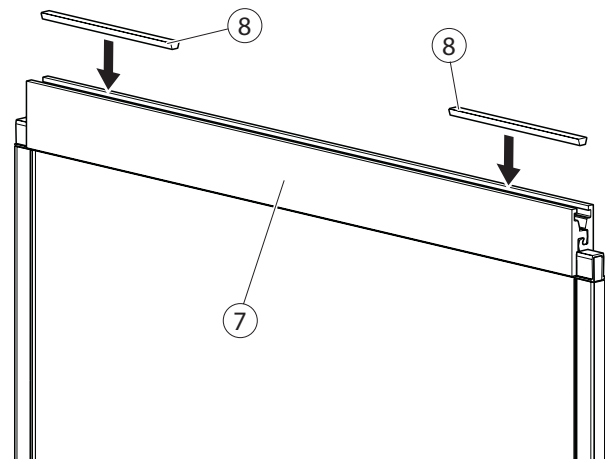
- ▶ Glass projection at both sides: 19 mm



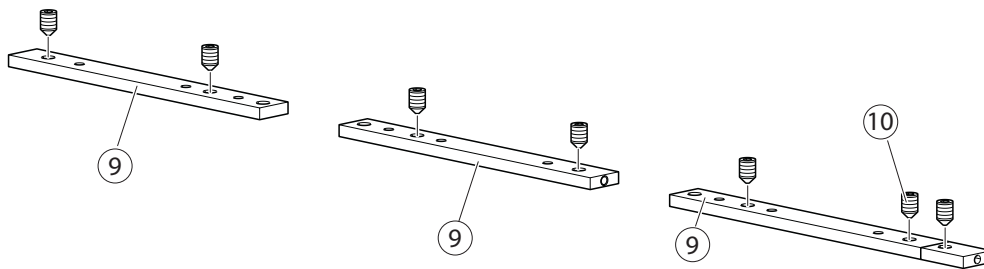
- ▶ Insert the clamping profiles (8) into the clamping rail (7) in accordance with the installation drawing.



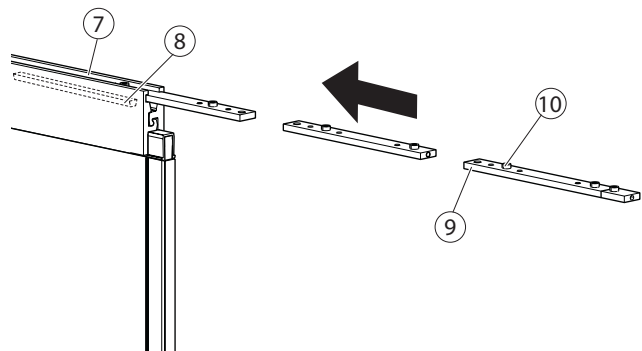
- The number of clamping profiles and mounting plates depends on the leaf width (see installation drawing).  
As far as the sequence of mounting plates is concerned, note that assembly group 70709-1-1146 has to be supplemented in corresponding quantities.



- ▶ Screw the setscrews (10) into the mounting plates (9).

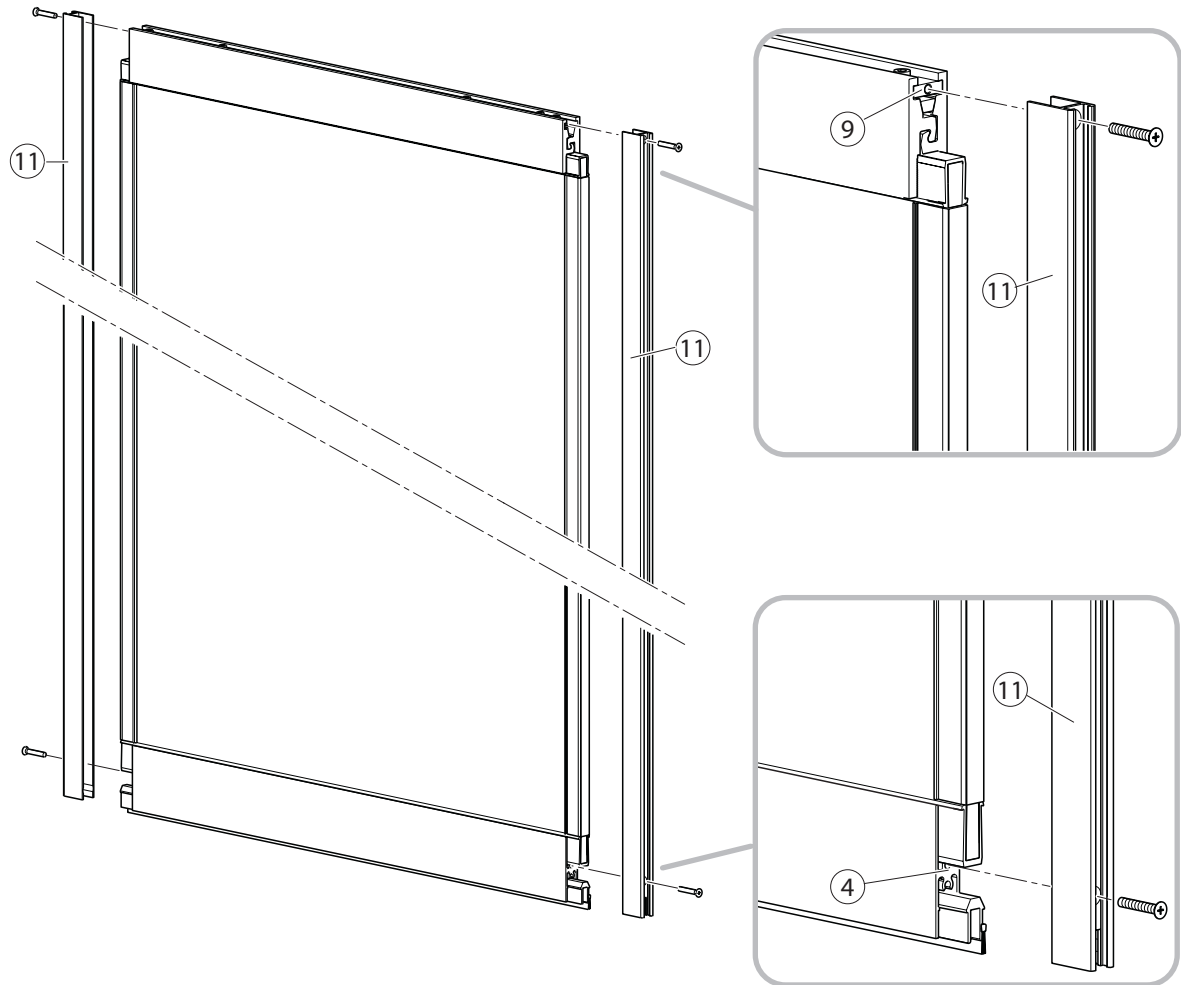


- ▶ Slide the mounting plates (9) into the clamping rail (7).
- ▶ Position the mounting plates (9) above the clamping profiles (8) in accordance with the installation drawing.
- ▶ Tighten the setscrews (10).



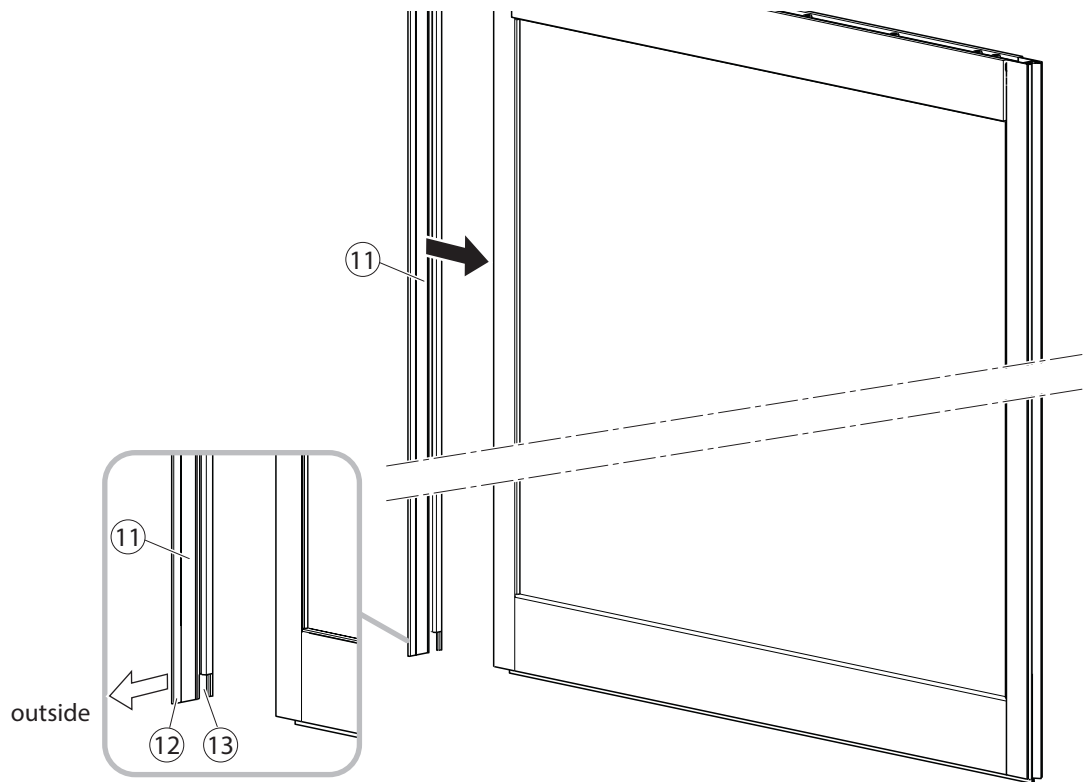
## 6.1.3 Screw the profiles tight

- ▶ Screw the side strips (11) to the door rail (4) at the bottom using tapping screws with countersunk heads, and to the mounting plates (9) at the top using countersunk screws.



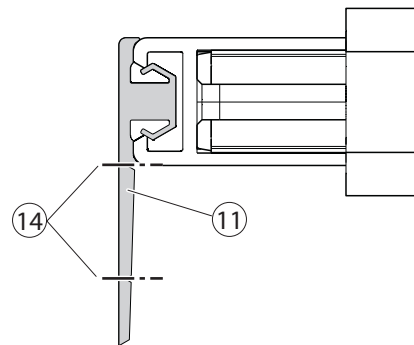


- ▶ Clip the plastic profile (11) to the NSK side strip and secure against slipping. The vertical leg (12) must be facing the outside, the recess (13) for the floor guide downwards.

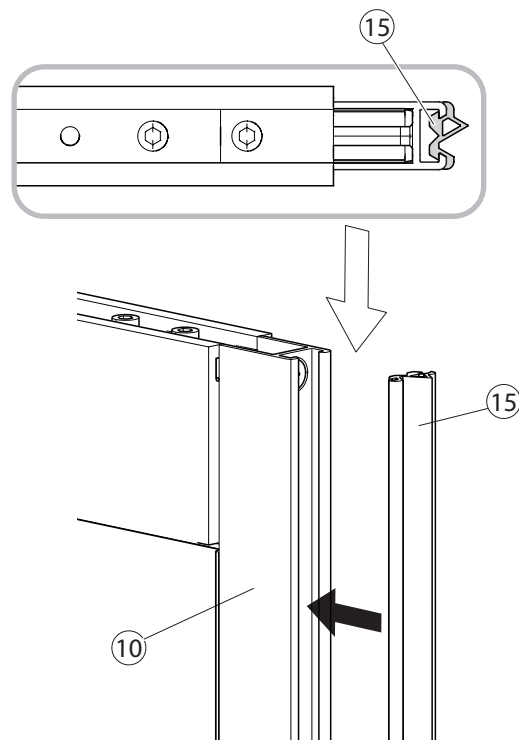


The plastic profile (11) can be adapted to the structural circumstances.

- ▶ Cut through the plastic profile (11) at one of the notches (14).



- ▶ Press the seal (15) into the HSK side strip (10).

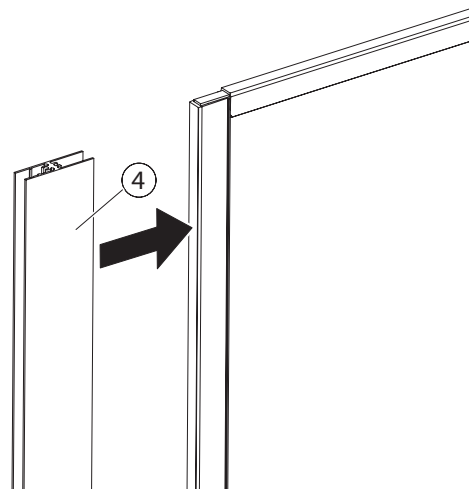


## 6.2 Mounting the side panel

- ▶ Prepare the pane, see Chapter 4.1.1.

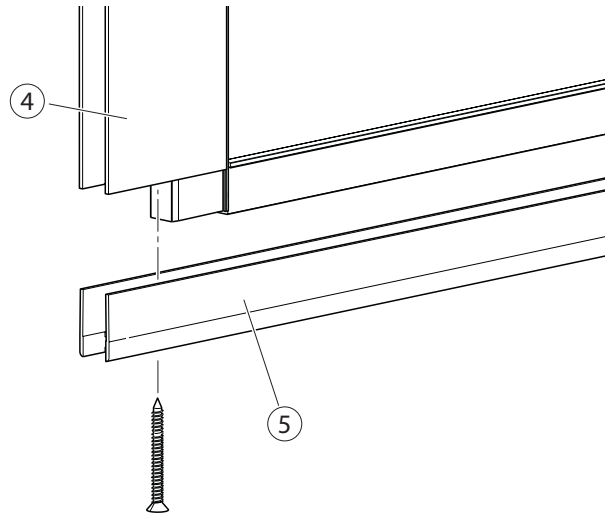
### 6.2.1 Place the profiles on the pane

- ▶ Slip the bottom side panel rail (4) onto the centre of the glazing rubber.

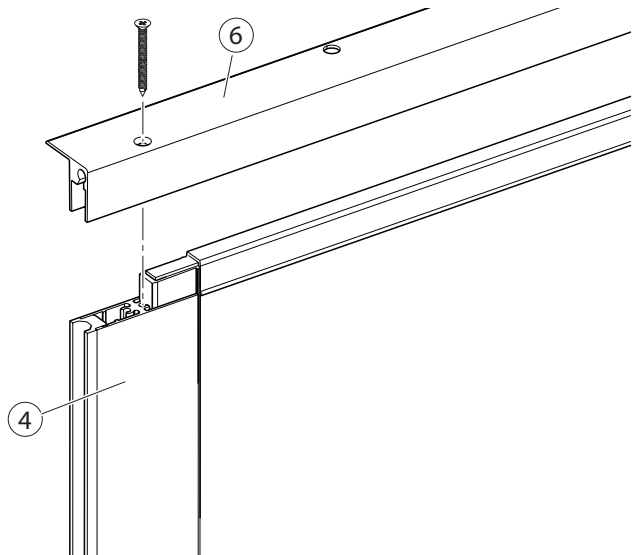


## 6.2.2 Screw the profiles tight

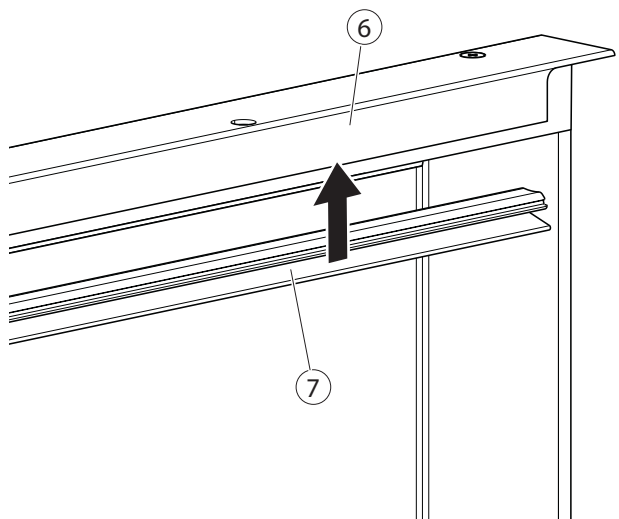
- ▶ Fasten the side strip (5) to the side panel rail (4) using 1 self-tapping screw.



- ▶ Fix the NSK sealing profile (6) to the side panel rail (4) using 1 self-tapping screw.



- ▶ Press the rubber seal (7) into the NSK sealing profile (6) and cut it off.





Where photoelectric barriers are used:

- ▶ Install the photoelectric barriers.
- ▶ Route the cables for the photoelectric barriers upwards through the space.



Further installation steps can be found in the installation instructions for the sliding door system.

## 7 Final work

- ▶ Carry out connection to the structure in accordance with RAL (refer also to Chapter 2.5).
- ▶ Clean the system and the glass surfaces.

## 8 Cleaning

What is to be cleaned	How is it to be cleaned
Glass surfaces	Wipe with a cold vinegar/water mixture; then dry.
Stainless surfaces	Wipe with non-scratching cloth.
Coated surfaces	Wipe with water and soap.
Anodised surfaces	Wipe with non-alkaline potassium soap (pH value 5.5 ... 7).
Plastic surfaces	Wipe down with water and a mild detergent.
EPDM seals	Wipe down with water and a mild detergent.







**Germany**  
GEZE GmbH  
Niederlassung Süd-West  
Tel. +49 (0) 7152 203 594  
E-Mail: leonberg.de@geze.com

GEZE GmbH  
Niederlassung Süd-Ost  
Tel. +49 (0) 7152 203 6440  
E-Mail: muenchen.de@geze.com

GEZE GmbH  
Niederlassung Ost  
Tel. +49 (0) 7152 203 6840  
E-Mail: berlin.de@geze.com

GEZE GmbH  
Niederlassung Mitte/Luxemburg  
Tel. +49 (0) 7152 203 6888  
E-Mail: frankfurt.de@geze.com

GEZE GmbH  
Niederlassung West  
Tel. +49 (0) 7152 203 6770  
E-Mail: duesseldorf.de@geze.com

GEZE GmbH  
Niederlassung Nord  
Tel. +49 (0) 7152 203 6600  
E-Mail: hamburg.de@geze.com

GEZE Service GmbH  
Tel. +49 (0) 1802 923392  
E-Mail: service-info.de@geze.com

**Austria**  
GEZE Austria  
E-Mail: austria.at@geze.com  
www.geze.at

**Baltic States –**  
Lithuania / Latvia / Estonia  
E-Mail: baltic-states@geze.com

**Benelux**  
GEZE Benelux B.V.  
E-Mail: benelux.nl@geze.com  
www.geze.be  
www.geze.nl

**Bulgaria**  
GEZE Bulgaria - Trade  
E-Mail: office-bulgaria@geze.com  
www.geze.bg

**China**  
GEZE Industries (Tianjin) Co., Ltd.  
E-Mail: chinasales@geze.com.cn  
www.geze.com.cn

GEZE Industries (Tianjin) Co., Ltd.  
Branch Office Shanghai  
E-Mail: chinasales@geze.com.cn  
www.geze.com.cn

GEZE Industries (Tianjin) Co., Ltd.  
Branch Office Guangzhou  
E-Mail: chinasales@geze.com.cn  
www.geze.com.cn

GEZE Industries (Tianjin) Co., Ltd.  
Branch Office Beijing  
E-Mail: chinasales@geze.com.cn  
www.geze.com.cn

**France**  
GEZE France S.A.R.L.  
E-Mail: france.fr@geze.com  
www.geze.fr

**Hungary**  
GEZE Hungary Kft.  
E-Mail: office-hungary@geze.com  
www.geze.hu

**Iberia**  
GEZE Iberia S.R.L.  
E-Mail: info.es@geze.com  
www.geze.es

**India**  
GEZE India Private Ltd.  
E-Mail: office-india@geze.com  
www.geze.in

**Italy**  
GEZE Italia S.r.l. Unipersonale  
E-Mail: italia.it@geze.com  
www.geze.it

GEZE Engineering Roma S.r.l  
E-Mail: italia.it@geze.com  
www.geze.it

**Korea**  
GEZE Korea Ltd.  
E-Mail: info.kr@geze.com  
www.geze.com

**Poland**  
GEZE Polska Sp.z o.o.  
E-Mail: geze.pl@geze.com  
www.geze.pl

**Romania**  
GEZE Romania S.R.L.  
E-Mail: office-romania@geze.com  
www.geze.ro

**Russia**  
OOO GEZE RUS  
E-Mail: office-russia@geze.com  
www.geze.ru

**Scandinavia – Sweden**  
GEZE Scandinavia AB  
E-Mail: sverige.se@geze.com  
www.geze.se

**Scandinavia – Norway**  
GEZE Scandinavia AB avd. Norge  
E-Mail: norge.se@geze.com  
www.geze.no

**Scandinavia – Denmark**  
GEZE Danmark  
E-Mail: danmark.se@geze.com  
www.geze.dk

**Singapore**  
GEZE (Asia Pacific) Pte, Ltd.  
E-Mail: gezesea@geze.com.sg  
www.geze.com

**South Africa**  
GEZE South Africa (Pty) Ltd.  
E-Mail: info@gezesa.co.za  
www.geze.co.za

**Switzerland**  
GEZE Schweiz AG  
E-Mail: schweiz.ch@geze.com  
www.geze.ch

**Turkey**  
GEZE Kapı ve Pencere Sistemleri  
E-Mail: office-turkey@geze.com  
www.geze.com

**Ukraine**  
LLC GEZE Ukraine  
E-Mail: office-ukraine@geze.com  
www.geze.ua

**United Arab Emirates/GCC**  
GEZE Middle East  
E-Mail: gezeme@geze.com  
www.geze.ae

**United Kingdom**  
GEZE UK Ltd.  
E-Mail: info.uk@geze.com  
www.geze.com

**GEZE GmbH**  
Reinhold-Vöster-Straße 21–29  
71229 Leonberg  
Germany

Tel.: 0049 7152 203 0  
Fax.: 0049 7152 203 310  
www.geze.com

